

**PHILIPS**

Urban Architecture Lighting

Uni Architecture Lighting Products


# Radiant Brilliance Glowing with Ease

Philips Uni Architecture Lighting Product Family



The data provided herein is for reference only; actual product specifications should be referred to the product manual. Changes may be made without prior notice.  
Copyright © Signify Holding. All rights reserved. Reproduction in whole or in part without permission is prohibited.

<http://www.signify.com/zh-cn>  
Printed in Shanghai, July 2024

A nighttime photograph of a city skyline reflected in a river. The buildings are illuminated with various colors, including blue, purple, and white. The water in the foreground shows the reflection of the lights, creating a shimmering effect. The sky is dark, and the overall atmosphere is vibrant and modern.

# Perfectly Balanced Tones Enriching the Color of City with Uni

“ In each city, each building is unique, possessing its distinct character and color. The color of a city sets its tone, while the color of architecture defines its taste. Exhibiting, highlighting, enhancing, and complementing the colors of cities and architecture through lighting is a specialty of the Uni Architecture Lighting Product Family. ”

The Uni Architecture Lighting Product Family boasts extremely short color-mixing distances, enabling precise color control. From white to amber and full-color products, the hues are pure and translucent, faithfully expressing the unique characteristics of buildings without excessive embellishment. Our products also offer delicate dimming capabilities, restoring the city's original colors to their fullest.



# Uni Family Lighting Up the City's Glow

“ Lighting makes our cities more beautiful. Cities are composed of architecture, which shapes the rhythm of urban spaces. By enhancing this rhythm with lighting, a visual beat is created, fostering a sense of uniqueness and pride in the city. ”

“ The Uni Architecture Lighting Product Family is a dedicated Architecture lighting product line designed for cities, offering a rich variety of products and selections, complete accessory options, and versatile expansion capabilities. The Uni family illuminates the facades of contemporary high-rise buildings with elegance, traces the lines of historic architectures with finesse, highlights city landmarks with stunning luminance, and presents dynamic, dazzling light spectacles on architectural facades. It masterfully enhances the grandeur of large-scale municipal installations, thoughtfully constructs cityscape projects, and elevates the vibrant ambiance of major commercial complexes, all while radiating a brilliant and serene glow.

Each product in the Uni Architecture Lighting Product Family boasts its unique characteristics, employing color, texture, contrast of solid and void, depth, and motion to express the inherent qualities of architecture, showcasing the rhythm inherent in buildings themselves, defining distinct tonal foundations for different structures, and collectively creating a harmonious symphony for the cityscape. Uni products feature DMX512 interface, enabling real-time full-color dynamic light shows that bring buildings to life and inject vitality into cities.”

# Uni Product Family

## Flood Lighting Fixtures

### UniFlood G G2



Single-head BVP344 G2S  
See Page 15



Dual-head BVP344 G2D  
See Page 17



Triple-head BVP344 G2T  
See Page 19

### UniFlood M G2



Single-head BVP353  
See Page 23



Dual-head BVP354  
See Page 25



Triple-head BVP355  
See Page 27



BVP353 Micro  
See Page 31



BVP353 C  
See Page 33

### UniFlood C Pro



Compact BVP371  
See Page 37



Mini BVP372  
See Page 39



Medium BVP373  
See Page 41



Large BVP374  
See Page 43

## Wall Washer Lighting Fixtures

### UniStrip G5 DC (Low Voltage Version)



BCP356  
See Page 51



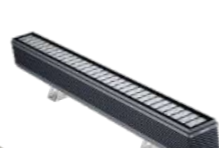
BCP351  
See Page 53



BCP352  
See Page 55



BCP354  
See Page 59



BCP385  
See Page 61

### UniStrip G5 AC (High Voltage Version)

## Wall Washer Lighting Fixtures

### UniStrip G5 Compact Pro



BCP402  
See Page 65

### UniEdge



BCP390  
See Page 69

## Direct-View Lighting Fixtures

### UniDot G3



BGS400  
See Page 79



BGS401  
See Page 81



BGS402  
See Page 83

### UniString



BWS401  
See Page 87



BWS402  
See Page 89



BWS300  
See Page 93



BWS301  
See Page 95



BWS302  
See Page 97

### UniBar



BCS440  
See Page 101



BCS441  
See Page 103



BCS340  
See Page 107



BCS341  
See Page 109



BCS342  
See Page 111



## UniFlood G G2

## UniFlood G G2



Single-head BVP344 G2S



Dual-head BVP344 G2D



Triple-head BVP344 G2T

Beam Angle (°)	3/4.5/10/15/25/30/40/45/60	3/4.5/10
Luminous Flux (max.lm@4000K)	20155	42500
Color Temperature	3000K/4000K/RGB/RGBNW/RGBWW	3000K/4000K/RGB/RGBNW/RGBWW
Power (W)	180/300	360/600
LEDs	72/120	144/240
LxWxH.mm	678 x 210 x 311.5 (with bracket)	730 x 445 x 307 (with bracket)
Input Voltage	220-240 VAC	220-240 VAC
IP	IP66	IP66
IK Rating	IK06	IK06
Protection class IEC	Class I	Class I
Control Method	ON-OFF/DMX	ON-OFF/DMX
Weight (kg)	13.5	28
Optional Accessories	Glare Shield / Honeycomb Louver	Glare Shield / Honeycomb Louver
Working Temperature	-40°C to 50°C (Operating Temperature)	-40°C to 50°C (Operating Temperature)

Beam Angle (°)	3/4.5/10
Luminous Flux (max.lm@4000K)	63700
Color Temperature	3000K/4000K/RGB/RGBNW/RGBWW
Power (W)	540/900
LEDs	216/360
LxWxH.mm	730 x 679 x 388 (with bracket)
Input Voltage	220-240 VAC
IP	IP66
IK Rating	IK06
Protection class IEC	Class I
Control Method	ON-OFF/DMX
Weight (kg)	41.5
Optional Accessories	Glare Shield / Honeycomb Louver
Working Temperature	-40°C to 50°C (Operating Temperature)



## UniFlood M G2

## UniFlood M G2 Compact



Single-head BVP353



Dual-head BVP354



Triple-head BVP355



BVP353 Micro



BVP353 C

Beam Angle (°)	3/15/25/30/45/60	3/10/15/25/30/45/60	3/15/25/30/40/45/60
Luminous Flux (max.lm@4000K)	4500	12000	20600
Color Temperature	3000K/4000K/RGB/RGBNW/RGBWW	3000K/4000K/RGB/RGBNW/RGBWW	3000K/4000K/RGB/RGBNW/RGBWW
Power (W)	15/20/24/30/45/50/60/80/100/120/150	120/160/200/240/300	240/300/360/450
LEDs	6/8/9/12/15/16/18/20/24/30/32/36/48/60/72	48/60/64/72/96/120/144	90/96/108/216
LxWxH.mm	155/183/210/238/293/348/403/486/569 (L)x140(W)x149(H)	403/486/569(L)x310(W)x230(H)	486/569(L)x478(W)x231(H)
Input Voltage	AC220V	AC220V	AC220V
IP	IP66	IP66	IP66
IK Rating	IK06	IK06	IK06
Protection class IEC	Class I	Class I	Class I
Control Method	ON-OFF/DMX512/RDM	ON-OFF/DMX512/RDM	ON-OFF/DMX512/RDM
Weight (kg)	2.2/2.4/2.7/3/3.7/4.8/5.4/6.2	12.5/14/16	18.8/21
Optional Accessories	Fall-prevention Steel Rope / Anti-glare Shield	Fall-prevention Steel Rope / Anti-glare Shield	Fall-prevention Steel Rope / Anti-glare Shield
Working Temperature	-40°C to 50°C (Operating Temperature)	-40°C to 50°C (Operating Temperature)	-40°C to 50°C (Operating Temperature)

Beam Angle (°)	4.5/10/15/25/ 30/ 40	4.5/10/15/25/ 30/ 40
Luminous Flux (max.lm@4000K)	155	735
Color Temperature	3000K/4000K/RGBNW/RGBWW	3000K/4000K/RGB/RGBNW/RGBWW
Power (W)	3	2/2.5/3/7/8/10
LEDs	1	1/3/4
LxWxH.mm	45.4 x 42 x 87.7 (with bracket)	78 x 88 x 21 (with bracket)
Input Voltage	24V DC	24V DC
IP	IP66	IP66
IK Rating	IK06	IK06
Protection class IEC	Class III	Class III
Control Method	ON-OFF/DMX	ON-OFF/DMX
Weight (kg)	0.19	0.5
Working Temperature	-40°C to 50°C (Operating Temperature)	-40°C to 50°C (Operating Temperature)



## UniFlood C Pro

## UniFlood C Pro



Compact BVP371



Mini BVP372



Medium BVP373



Large BVP374

Beam Angle (°)	10/15/30/45/60/12x30/12x50/12x45/15x55
Luminous Flux (max.lm@4000K)	5250
Color Temperature	3000K/4000K/RGB/RGBNW/RGBWW
Power (W)	24
LEDs	12
LxWxH.mm	157(L)x135(W)x141(H)
Input Voltage	AC220V
IP	IP66
IK Rating	IK06
Protection class IEC	Class I
Control Method	ON-OFF/DMX512/RDM
Weight (kg)	1.8
Optional Accessories	Fall-prevention Steel Rope / Anti-glare Shield
Working Temperature	-40°C to 50°C (Operating Temperature)

Beam Angle (°)	10/15/30/45/60/12x30/12x50/12x45/15x55
Luminous Flux (max.lm@4000K)	6700
Color Temperature	3000K/4000K/RGB/RGBNW/RGBWW
Power (W)	15/40/50
LEDs	6/15/16/18/20
LxWxH.mm	190(L)x170(W)x164(H)
Input Voltage	AC220V
IP	IP66
IK Rating	IK06
Protection class IEC	Class I
Control Method	ON-OFF/DMX512/RDM
Weight (kg)	3
Optional Accessories	Fall-prevention Steel Rope / Anti-glare Shield
Working Temperature	-40°C to 50°C (Operating Temperature)

Beam Angle (°)	10/15/30/45/60/12x30/12x50/12x45/15x55
Luminous Flux (max.lm@4000K)	9800
Color Temperature	3000K/4000K/RGB/RGBNW/RGBWW
Power (W)	45/80/100
LEDs	18/30/32/36
LxWxH.mm	255(L)x225(W)x205(H)
Input Voltage	AC220V
IP	IP66
IK Rating	IK06
Protection class IEC	Class I
Control Method	ON-OFF/DMX512/RDM
Weight (kg)	6
Optional Accessories	Fall-prevention Steel Rope / Anti-glare Shield
Working Temperature	-40°C to 50°C (Operating Temperature)

Beam Angle (°)	10/15/30/45/60/12x30/12x50/12x45/15x55
Luminous Flux (max.lm@4000K)	13700
Color Temperature	3000K/4000K/RGB/RGBNW/RGBWW
Power (W)	80/120/150
LEDs	28/30/60
LxWxH.mm	315(L)x285(W)x210(H)
Input Voltage	AC220V
IP	IP66
IK Rating	IK06
Protection class IEC	Class I
Control Method	ON-OFF/DMX512/RDM
Weight (kg)	8
Optional Accessories	Fall-prevention Steel Rope / Anti-glare Shield
Working Temperature	-40°C to 50°C (Operating Temperature)

# UniFlood G G2



Single-head BVP344 G2S    Dual-head BVP344 G2D    Triple-head BVP344 G2T

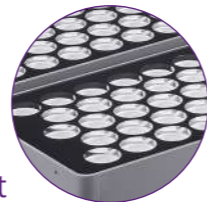
The UniFlood G G2 high-power floodlight is designed for wall washing and floodlighting of large building exteriors. With its robust mechanical design and efficient optical system, it is ideally suited for exterior facades of high-rise buildings, bridges, landmarks, and monuments. It offers white light, monochromatic colors, RGB / RGBW, and tunable white options, accompanied by a selection of 9 different optical lenses ranging from super narrow to wide beam angles, as well as DMX512 / RDM control capabilities, empowering architects and lighting designers to freely explore and realize a myriad of design concepts and ideas.

## Features



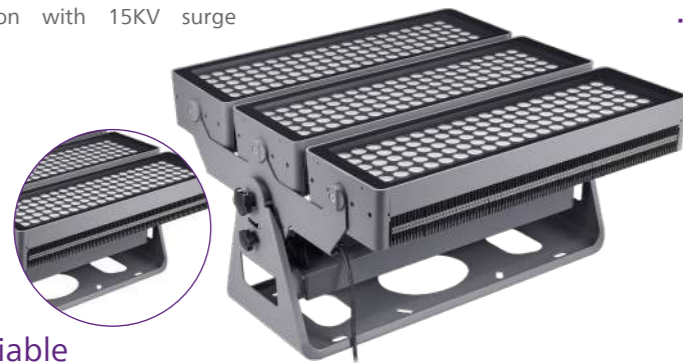
### High quality

- High luminous efficacy, with a maximum luminous flux output of 46,950lm (at 4000K)
- Lumen Maintenance - white: 50,000 hours L70 at 35°C; color: 50,000 hours L50 at 35°C
- Special configuration with 15KV surge protector (external)



### Optimal effect

- Multiple optical lens options available, with the minimum beam angle achievable at 3D
- Glare control: Three-sided / Four-sided Glare Shield or built-in honeycomb louver
- Custom luminous surface, such as frosted glass, to achieve various light output effects

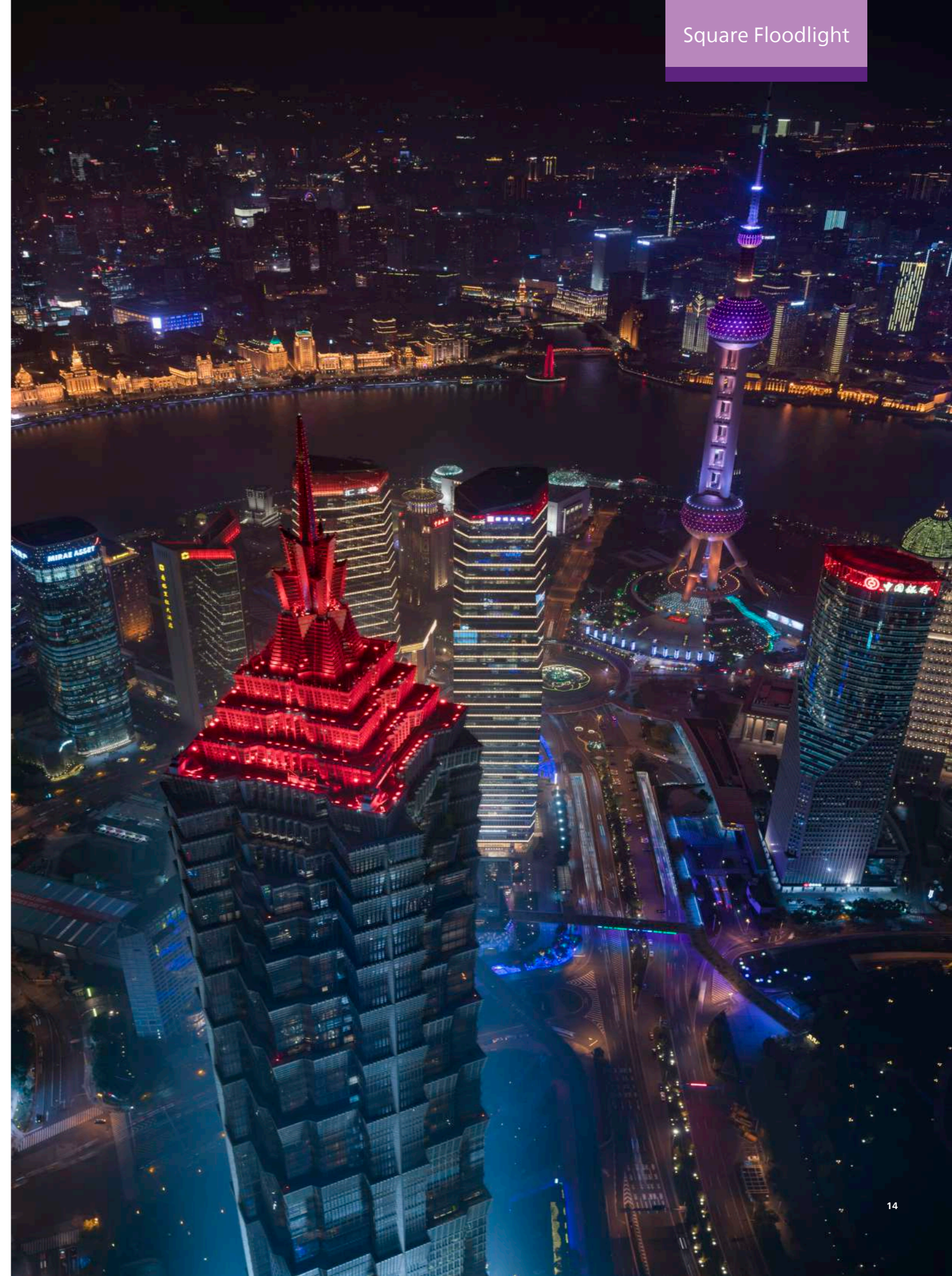


### Stable and reliable

- The luminous surface features a self-draining design to prevent water accumulation and dust buildup, particularly suited for upward floodlighting applications
- Larger heat dissipation area, separate electrical box design, higher heat dissipation efficiency, capable of handling more demanding environmental temperature conditions

### Convenient and simple

- Equipped with a built-in anti-fall chain and a premium-quality breather (for each lamp head)
- Signal wires are connected in a daisy chain manner, equipped with built-in IP67 waterproof connectors
- Dedicated address lines for faster and easier DMX addressing, compatible with the handheld address writer (ZXP399)







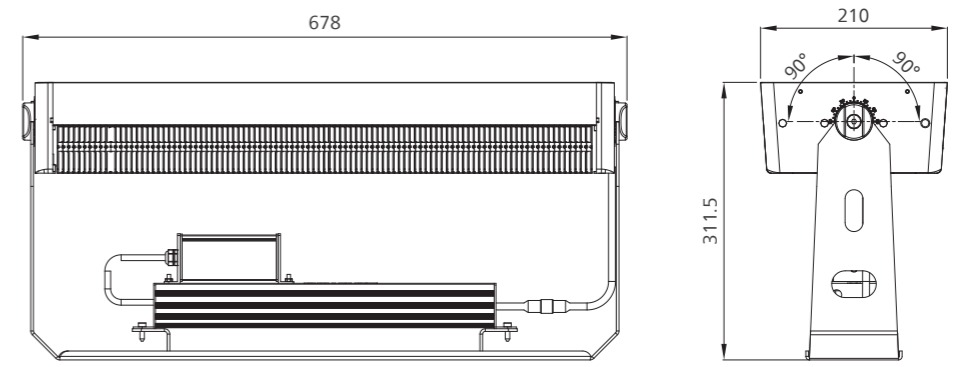
**UniFlood G G2  
(Single-head)**

**Specifications**

	Product Series	UniFlood G G2 Single-head (BVP344 G2S)	
Optical Parameters	Light Source	High-power LED	
	Lumen Maintenance	50000 hours L70B50 at 35°C	
	Max. LEDs	72LED	120LED
	Beam Angle	3°	4.5°, 10°, 15°, 25°, 30°, 40°, 45°, 60°
	Maximum Power	300W White / 180W RGB/RGBW	300W
	Standard Color Temperature	3000K, 4000K	
	Optional Colors	RGB, RGBNW, RGBWW	
	CRI	80	
	White Light Color Tolerance	SDCM<=4	
	Color Wavelength Range	R: 620 to 625nm; G: 525 to 530nm; B: 470 to 475nm	
Luminaire Body Parameters	Housing	Aerospace Aluminum Housing + Die-Cast Aluminum End Caps	
	Surface	Electrostatic Powder Coating, Surface Weathering and Corrosion Resistance Treatment	
	Housing Color	Dark Grey RAL7012	
	Bracket Material	Cold-rolled Steel Bracket	
	Angle Adjustment	Adjustable from -90° to +90°	
	Lens Material	High-efficiency PMMA Lens	
	Luminous Surface	Tempered Glass with Enhanced Strength	
	LxWxH.mm	678mm x 210mm x 311.5mm (with bracket)	
	Weight	13.5kg	
	Temperature Range	-40°C to 50°C (Operating Temperature)	-35°C to 50°C (Startup Temperature)
Electrical Parameters	Protection Class	IP66, IK06	
	Control	On/Off & DMX512/RDM	
	Input Voltage	220-240 VAC, 50/60Hz	
Others	Certificate	CE, CB, CQC	
	Warranty Period	3 years	
	Accessories / ETO Options	Glare Shield / Honeycomb Louver	

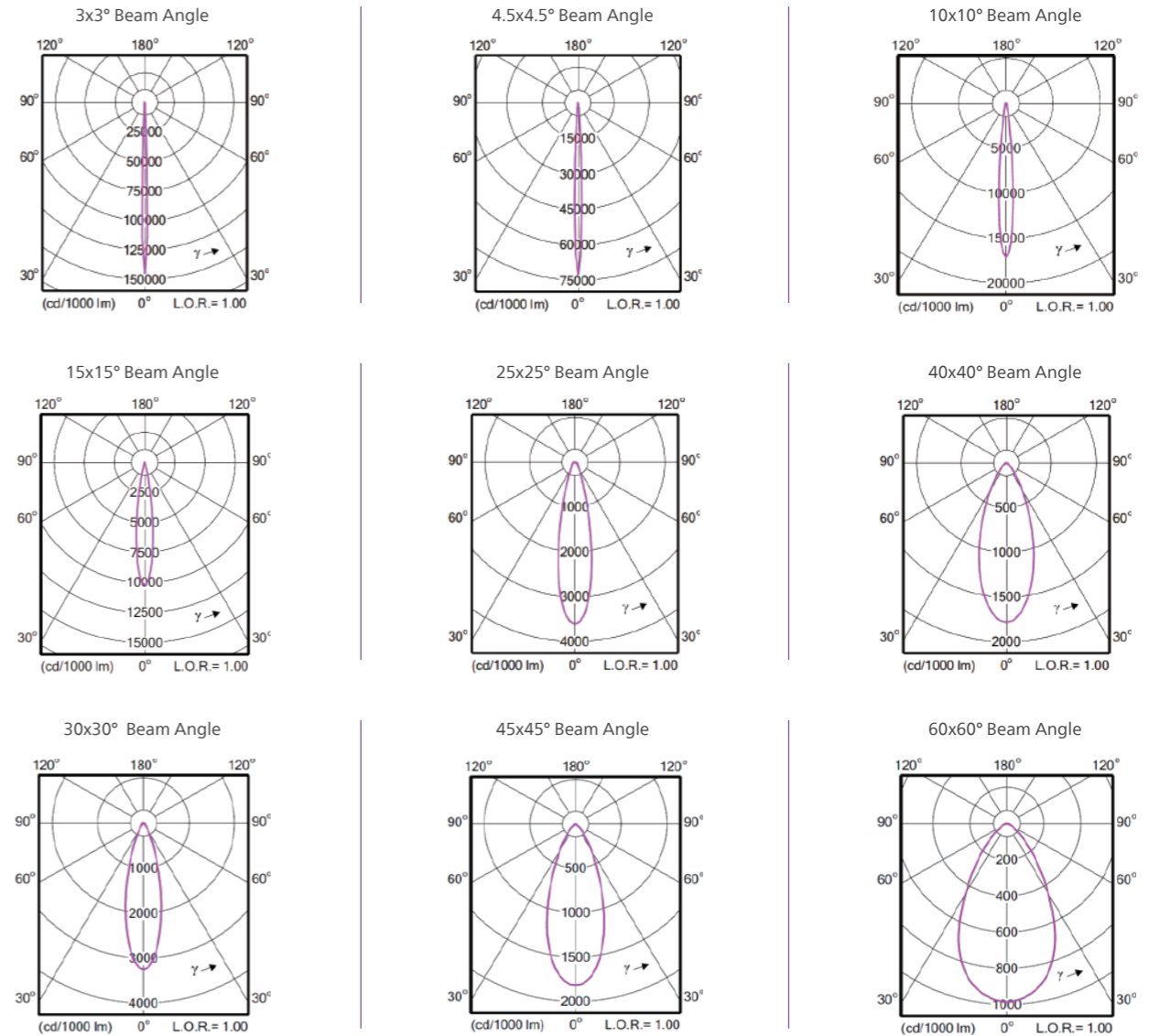
**LxWxH.mm**

**BVP344 G2S**



**Light Distribution Curve**

**BVP344 G2S**

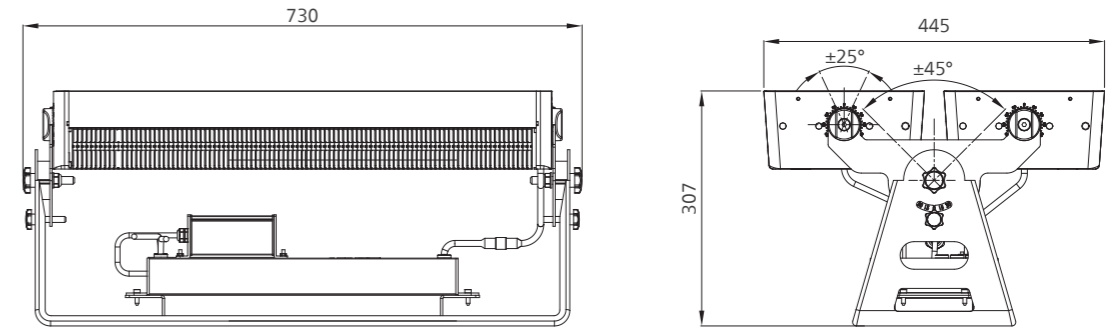




UniFlood G G2  
(Dual-head)

LxWxH.mm

BVP344 G2D

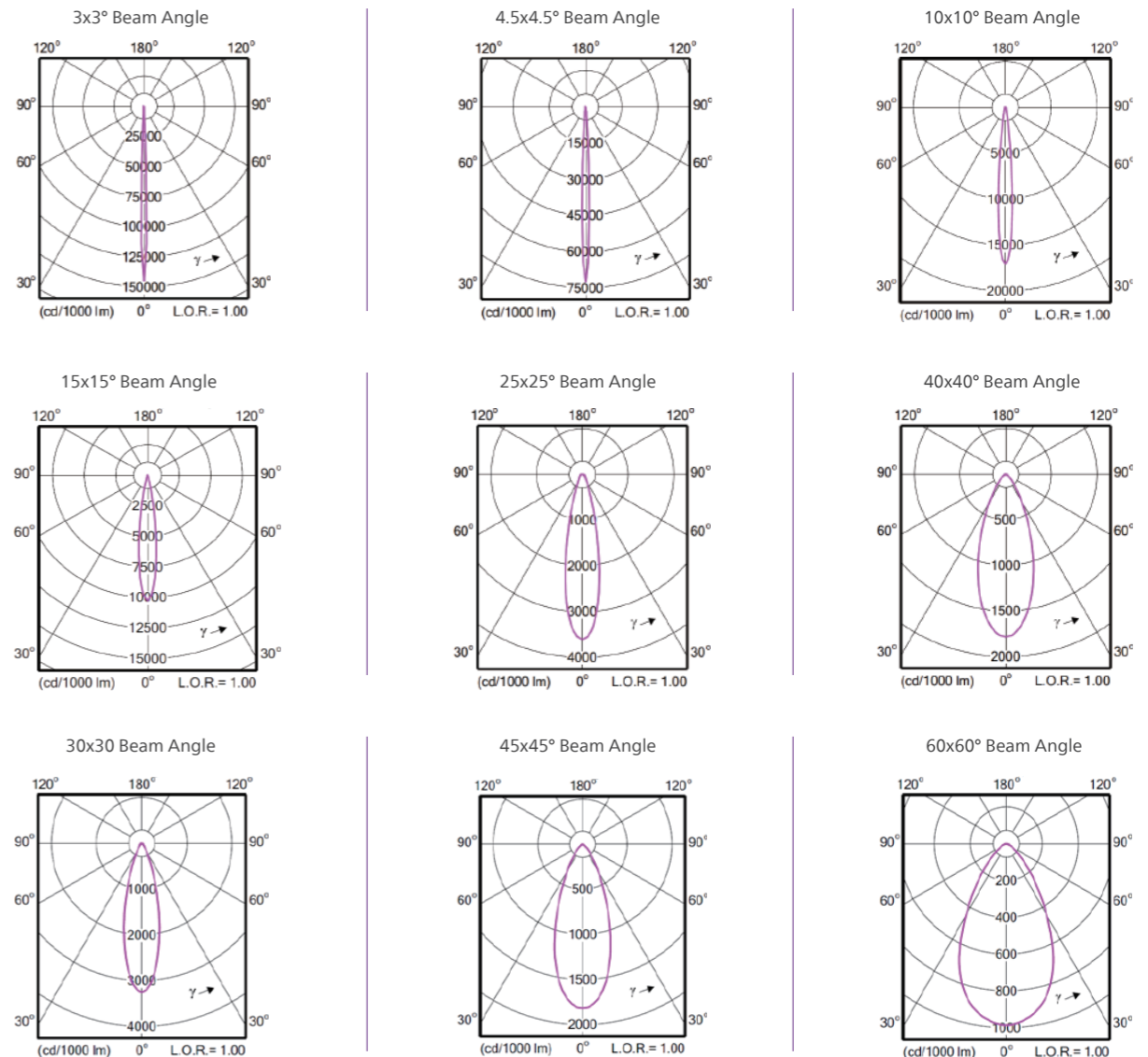


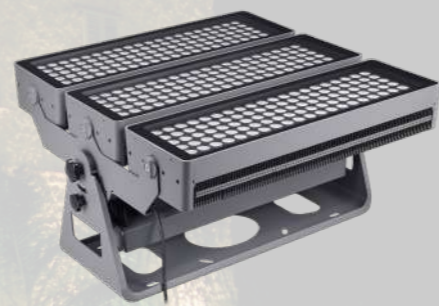
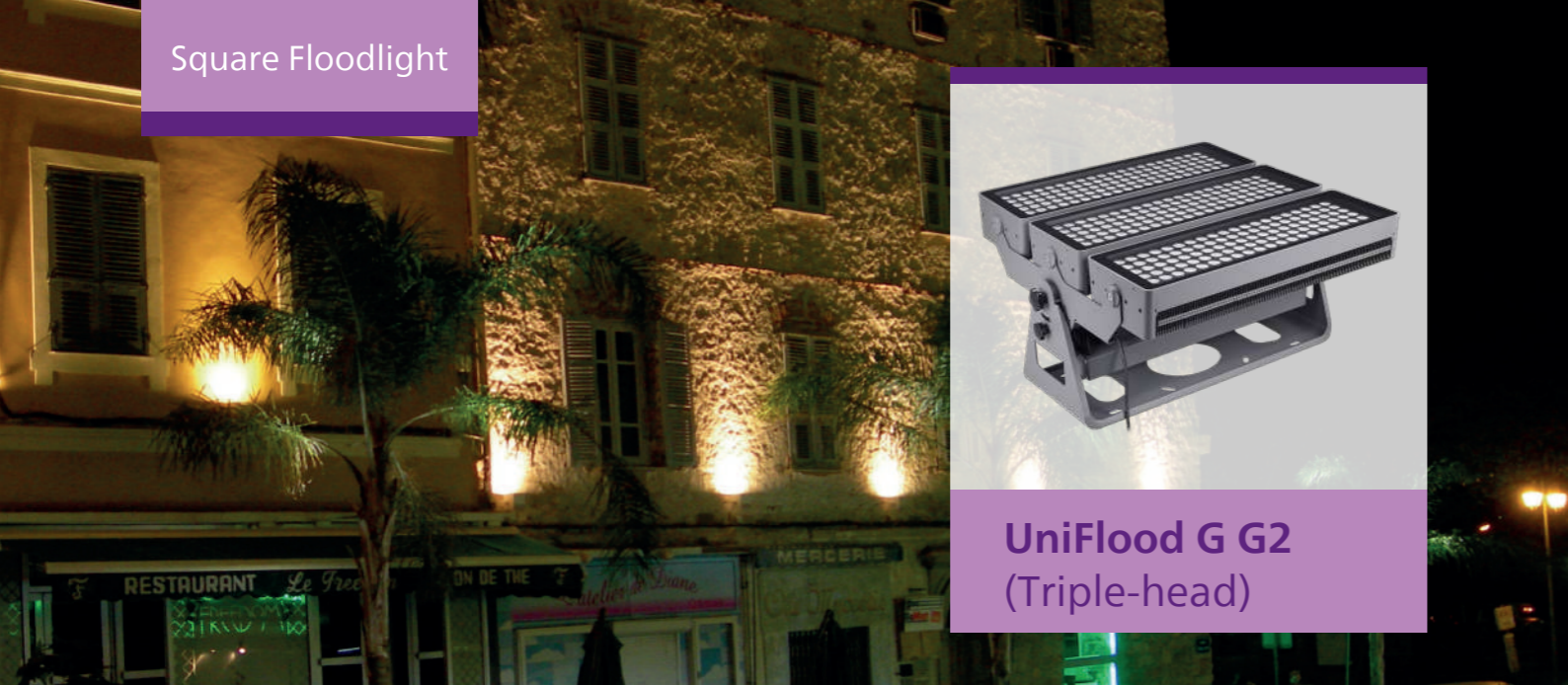
Specifications

Product Series		UniFlood G G2 Dual-head (BVP344 G2D)	
Optical Parameters	Light Source	High-power LED	
	Lumen Maintenance	50000 hours L70B50 at 35°C	
	Max. LEDs	144LED	240LED
	Beam Angle	3°	4.5°, 10°
	Maximum Power	600W White /360W RGB/RGBW	600W
	Standard Color Temperature	3000K, 4000K	
	Optional Colors	RGB, RGBNW, RGBWW	
	CRI	80	
	White Light Color Tolerance	SDCM<=4	
	Color Wavelength Range	R: 620 to 625nm; G: 525 to 530nm; B: 470 to 475nm	
Luminaire Body Parameters	Housing	Aerospace Aluminum Housing + Die-Cast Aluminum End Caps	
	Surface	Electrostatic Powder Coating, Surface Weathering and Corrosion Resistance Treatment	
	Housing Color	Dark Grey RAL7012	
	Bracket Material	Cold-rolled Steel Bracket	
	Angle Adjustment	Individual head adjustable by ±25° & bracket adjustable by ±45°	
	Lens Material	High-efficiency PMMA Lens	
	Luminous Surface	Tempered Glass with Enhanced Strength	
	LxWxH.mm	730mm x 445mm x 307mm (with bracket)	
	Weight	28kg	
	Temperature Range	-40°C to 50°C (Operating Temperature) -35°C to 50°C (Startup Temperature) -40°C to 70°C (Storage Temperature)	
Electrical Parameters	Protection Class	IP66, IK06	
	Control	On/Off & DMX512/RDM	
	Input Voltage	220-240 VAC, 50/60Hz	
Others	Certificate	CE, CB, CQC	
	Warranty Period	3 years	
	Accessories / ETO Options	Glare Shield / Honeycomb Louver	

Light Distribution Curve

BVP344 G2D

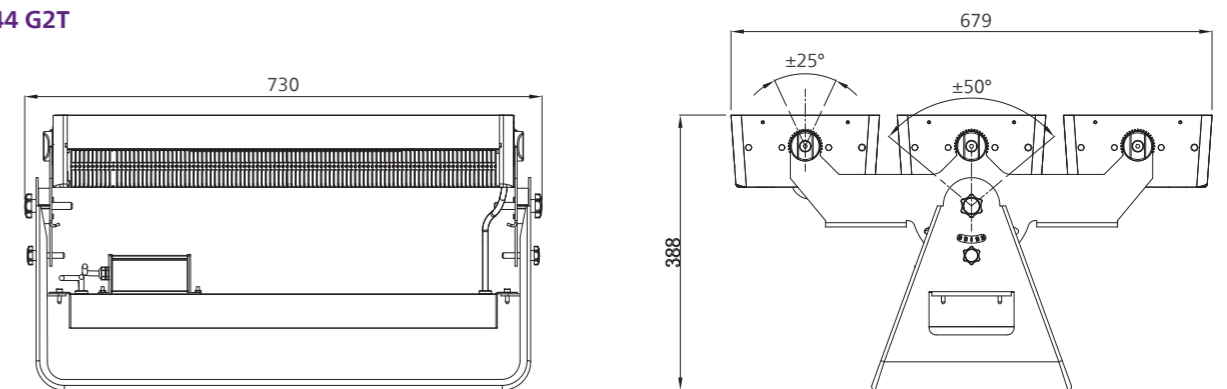




UniFlood G G2  
(Triple-head)

LxWxH.mm

BVP344 G2T

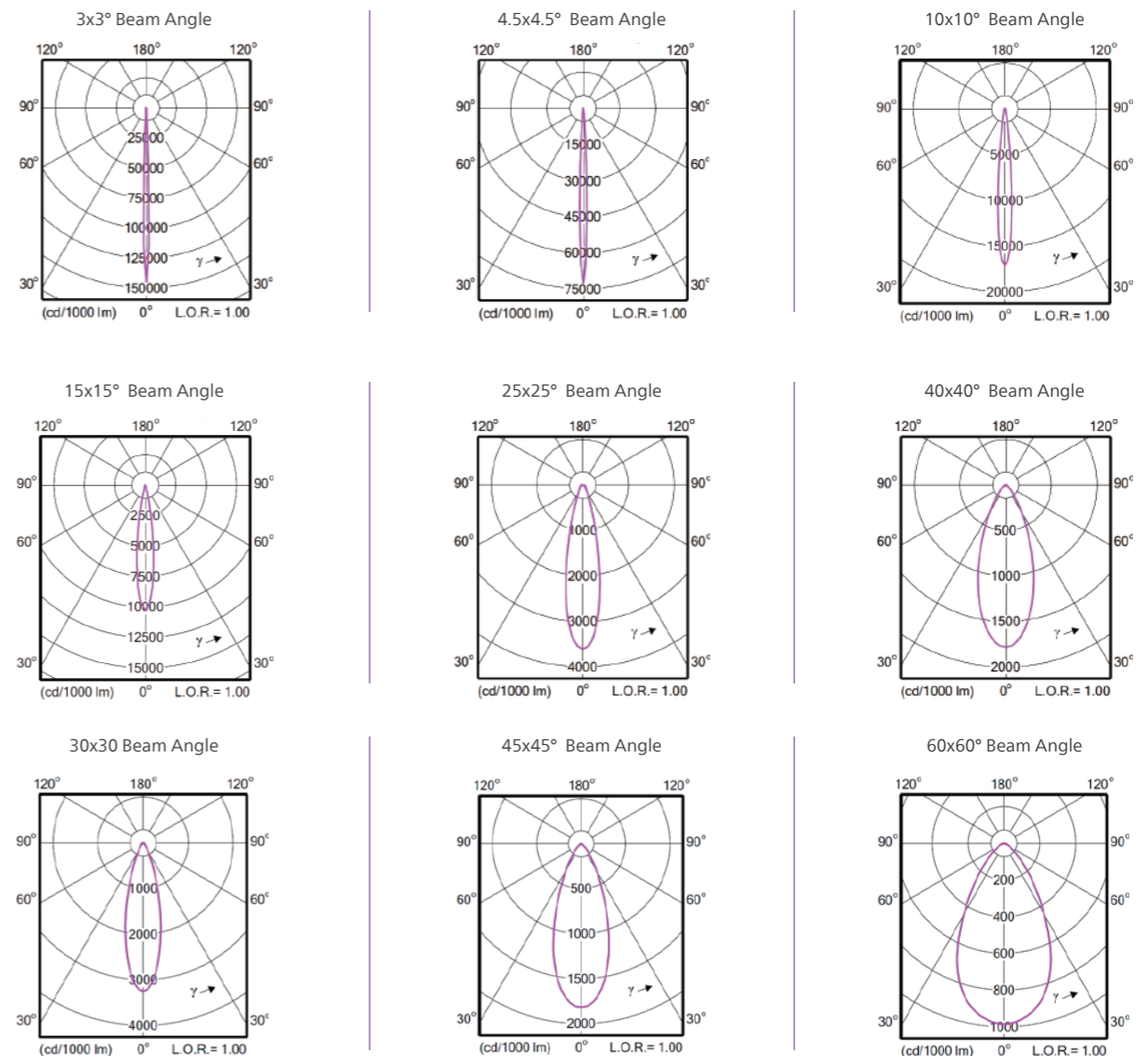


Specifications

	Product Series	UniFlood G G2 Triple-head (BVP344 G2T)	
Optical Parameters	Light Source	High-power LED	
	Lumen Maintenance	50000 hours L70B50 at 35°C	
	Max. LEDs	216LED	360LED
	Beam Angle	3°	4.5°, 10°
	Maximum Power	900W White /540W RGB/RGBW	900W
	Standard Color Temperature	3000K, 4000K	
	Optional Colors	RGB, RGBNW, RGBWW	
	CRI	80	
	White Light Color Tolerance	SDCM<=4	
	Color Wavelength Range	R: 620 to 625nm; G: 525 to 530nm; B: 470 to 475nm	
Luminaire Body Parameters	Housing	Aerospace Aluminum Housing + Die-Cast Aluminum End Caps	
	Surface	Electrostatic Powder Coating, Surface Weathering and Corrosion Resistance Treatment	
	Housing Color	Dark Grey RAL7012	
	Bracket Material	Cold-rolled Steel Bracket	
	Angle Adjustment	Individual head adjustable by ±25° & bracket adjustable by ±45°	
	Lens Material	High-efficiency PMMA Lens	
	Luminous Surface	Tempered Glass with Enhanced Strength	
	LxWxH.mm	730mm x 679mm x 388mm (with bracket)	
	Weight	41.5kg	
	Temperature Range	-40°C to 50°C (Operating Temperature) -35°C to 50°C (Startup Temperature) -40°C to 70°C (Storage Temperature)	
Electrical Parameters	Protection Class	IP66, IK06	
	Control	On/Off & DMX512/RDM	
	Input Voltage	220-240 VAC, 50/60Hz	
Others	Certificate	CQC, CB, CE	
	Warranty Period	3 years	
	Accessories / ETO Options	Glare Shield / Honeycomb Louver	

Light Distribution Curve

BVP344 G2T



# Uniflood M G2



Single-head BVP353



Dual-head BVP354



Triple-head BVP355

The UniFlood M G2 series of modular square floodlights are widely applicable for wall washing and floodlighting of outdoor building facades. They offer a choice of high-quality white light and RGB color lighting. With a modular, combinational design, these lights feature robust aluminum alloy housings, an IP66 rating, and an IK06 rating, ensuring reliable operation in harsh outdoor conditions over extended periods. A variety of beam angle options and anti-glare accessories are available to meet different floodlighting application needs.

## Features



### High quality

- Full power range coverage, from 24W to 450W
- A rich selection of light distributions and accessories is available, with beam angles ranging from 3 degrees to 60 degrees, and various glare control accessories to choose from



### Stable and reliable

- The luminous surface features a self-draining design to prevent water accumulation and dust buildup, particularly suited for upward floodlighting applications
- Brand new industrial design, combining functional illumination with aesthetic appeal
- Modular design allows each head to be individually adjusted for mounting angle and enables independent control of individual heads, providing ample flexibility for product serialization and customization
- Its miniature and lightweight design facilitates easy concealment and unobtrusive integration of the luminaire



### Optimal effect

- Multiple optical lens options available, with the minimum beam angle achievable at 3D
- Glare control: Three-sided / Four-sided Glare Shield or built-in honeycomb louver
- Custom luminous surface, such as frosted glass, to achieve various light output effects



### Convenient and simple

- Equipped with a built-in anti-fall chain, each head comes standard with a breather
- Signal wires are connected in a daisy chain manner, equipped with built-in IP67 waterproof connectors
- Dedicated address lines for faster and easier DMX / RDM addressing, compatible with the handheld address writer (ZXP399)





UniFlood M G2 (Single-head)

LED, Beam Angle, and Power Specifications

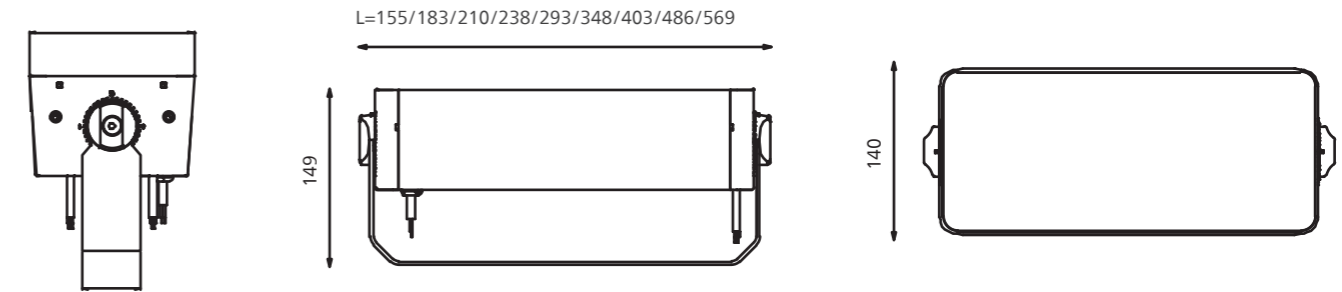
UniFlood M G2 Single-head (BVP353)										
Model										
Length	L15-155mm		L18-183mm				L21-210mm		L24-238mm	
LEDs	6LED	12LED	8LED (RGBW)	9LED (Single white & RGB)	15LED (RGB)	16LED (Single white & RGBW)	12LED	18LED (Single white & RGB)	20LED (RGBW)	24LED
Beam Angle	3°	10°,15°,30°,45°,60°	3°		10°,15°,30°,45°,60°		3°	10°,15°,30°,45°,60°		10°,15°,30°,45°,60°
Maximum Power	15W	24W	20W		30W		30W	40W		50W

Length	L30-293mm			L35-348mm	L40-403mm	L50-486mm		L57-569mm				
LEDs	16LED (RGBW)	18LED (Single white & RGB)	30LED (Single white & RGB)	32LED (RGBW)	36LED	24LED	48LED	30LED (Single white & RGB)	32LED (RGBW)	60LED	36LED	72LED
Beam Angle	3°		10°,15°,30°,45°,60°		10°,15°,30°,45°,60°	3°	10°,15°,30°,45°,60°	3°		10°,15°,30°,45°,60°	3°	10°,15°,30°,45°,60°
Maximum Power	45W		60W		80W	60W	100W	80W		120W	100W	150W

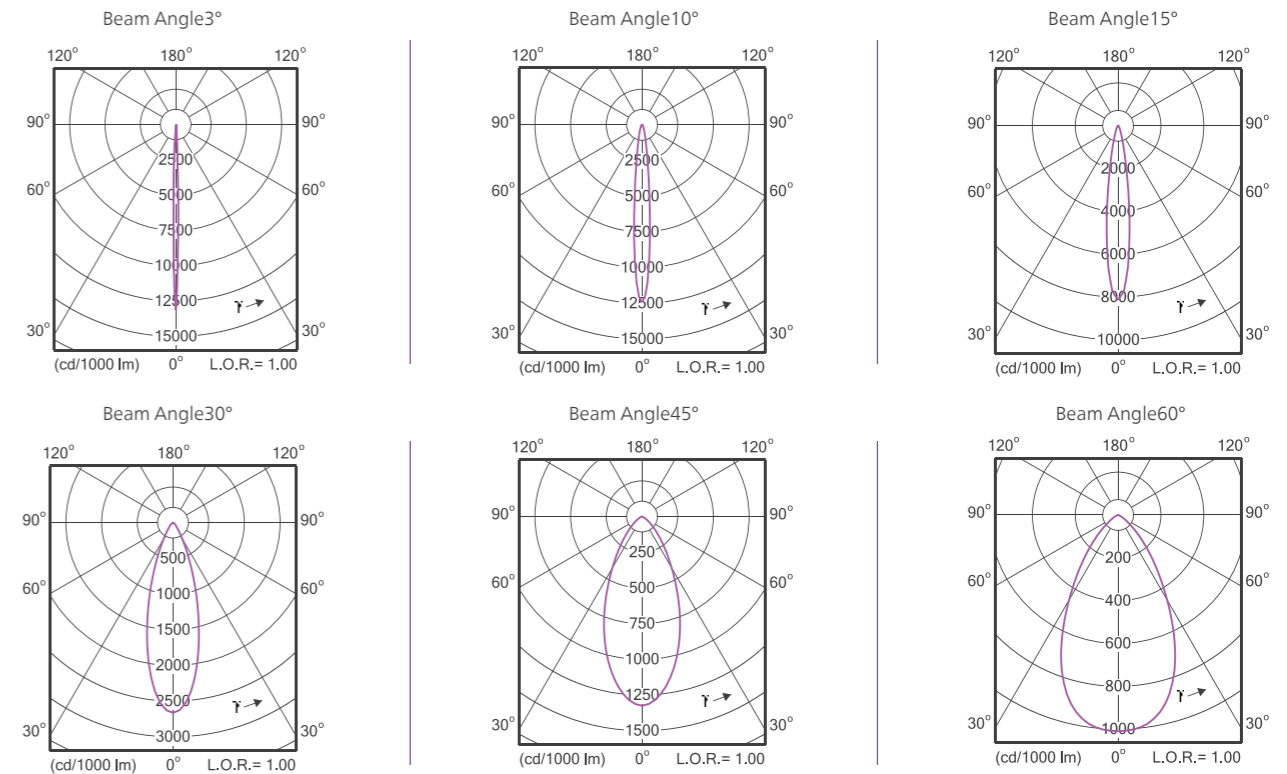
LxWxH.mm

BVP353



Light Distribution Curve

BVP353



Specifications

	Product Series	UniFlood M G2 Single-head (BVP353)	
Optical Parameters	Light Source	High-power LED	
	Lumen Maintenance	50000 hours L70B50 at 35°C	
	Max. LEDs	36LED	72LED
	Beam Angle	3°	10°,15°,30°,45°,60°
	Maximum Power	100W	150W
	Standard Color Temperature	3000K, 4000K	
	Optional Colors	RGB, RGBNW, RGBWW	
	CRI	80	
	White Light Color Tolerance	SDCM<=4	
	Color Wavelength Range	R: 620 to 625nm; G: 525 to 530nm; B: 470 to 475nm	
Luminaire Body Parameters	Housing	Aluminum profile	
	Surface	Electrostatically Sprayed Polyester Powder Coating	
	Housing Color	Dark Grey (RAL7012)	
	Bracket Material	Cold-rolled steel	
	Angle Adjustment	±90°	
	Lens Material	High-optical-efficiency PMMA lens with anti-aging and UV-resistant properties	
	Gasket	Silicone	
	Luminous Surface	Clear tempered glass	
	LxWxH.mm	L: 155/183/210/238/293/348/403/486/569 xW: 140 x H: 149mm (with bracket)	
	Weight	2-6.8kg	
Temperature Range		-40°C to 50°C (Operating)	
		-35°C to 50°C (Startup)	
		-40°C to 70°C (Storage)	
Protection Class	IP66, IK06		
Electrical Parameters	Control	On/Off & DMX512 (custom RDM)	
	Input Voltage	220-240 VAC, 50/60Hz	
Others	Certificate	CQC,CB,CE	
	Warranty Period	3 years	
	Accessories / ETO Options	Glare Shield (Three-sided / Four-sided), Striped / Honeycomb Louver	



UniFlood M G2 (Dual-head)

Specifications

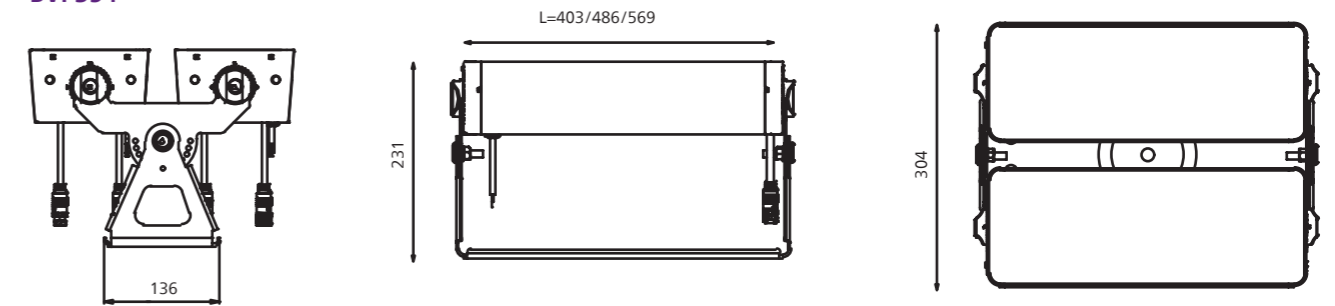
	Product Series	UniFlood M G2 Dual-head (BVP354)	
Optical Parameters	Light Source	High-power LED	
	Lumen Maintenance	50000 hours L70B50 at 35°C	
	Max. LEDs	72LED	144LED
	Beam Angle	3°	10°,15°,30°,45°,60°
	Maximum Power	200W	300W
	Standard Color Temperature	3000K, 4000K	
	Optional Colors	RGB, RGBNW, RGBWW	
	CRI	80	
	White Light Color Tolerance	SDCM≤4	
	Color Wavelength Range	R: 620 to 625nm; G: 525 to 530nm; B: 470 to 475nm	
Luminaire Body Parameters	Housing	Aluminum profile	
	Surface	Electrostatically Sprayed Polyester Powder Coating	
	Housing Color	Dark Grey (RAL7012)	
	Bracket Material	Cold-rolled steel	
	Angle Adjustment	±45°	
	Lens Material	High-optical-efficiency PMMA lens with anti-aging and UV-resistant properties	
	Gasket	Silicone	
	Luminous Surface	Clear tempered glass	
	LxWxH.mm	L: 403/486/569 x W:304 x H: 231mm (with bracket)	
	Weight	11.5-14kg	
Electrical Parameters	Temperature Range	-40°C to 50°C (Operating)	-35°C to 50°C (Startup)
	Protection Class	IP66, IK06	
	Control	On/Off & DMX512 (custom RDM)	
Others	Input Voltage	220-240 VAC, 50/60Hz	
	Certificate	CQC,CB,CE	
	Warranty Period	3 years	
Accessories / ETO Options	Glare Shield (Three-sided / Four-sided), Striped / Honeycomb Louver		

LED, Beam Angle, and Power Specifications

Model	UniFlood M G2 Dual-head (BVP354)					
Length	L40 – 403mm		L50 – 486mm		L57 – 569mm	
LEDs	48LED	96LED	60LED (Single white & RGB)	64LED (RGBW)	120LED	144LED
Beam Angle	3°	10°,15°,30°,45°,60°	3°		10°,15°,30°,45°,60°	3°
Maximum Power	120W	200W	160W		240W	200W
						300W

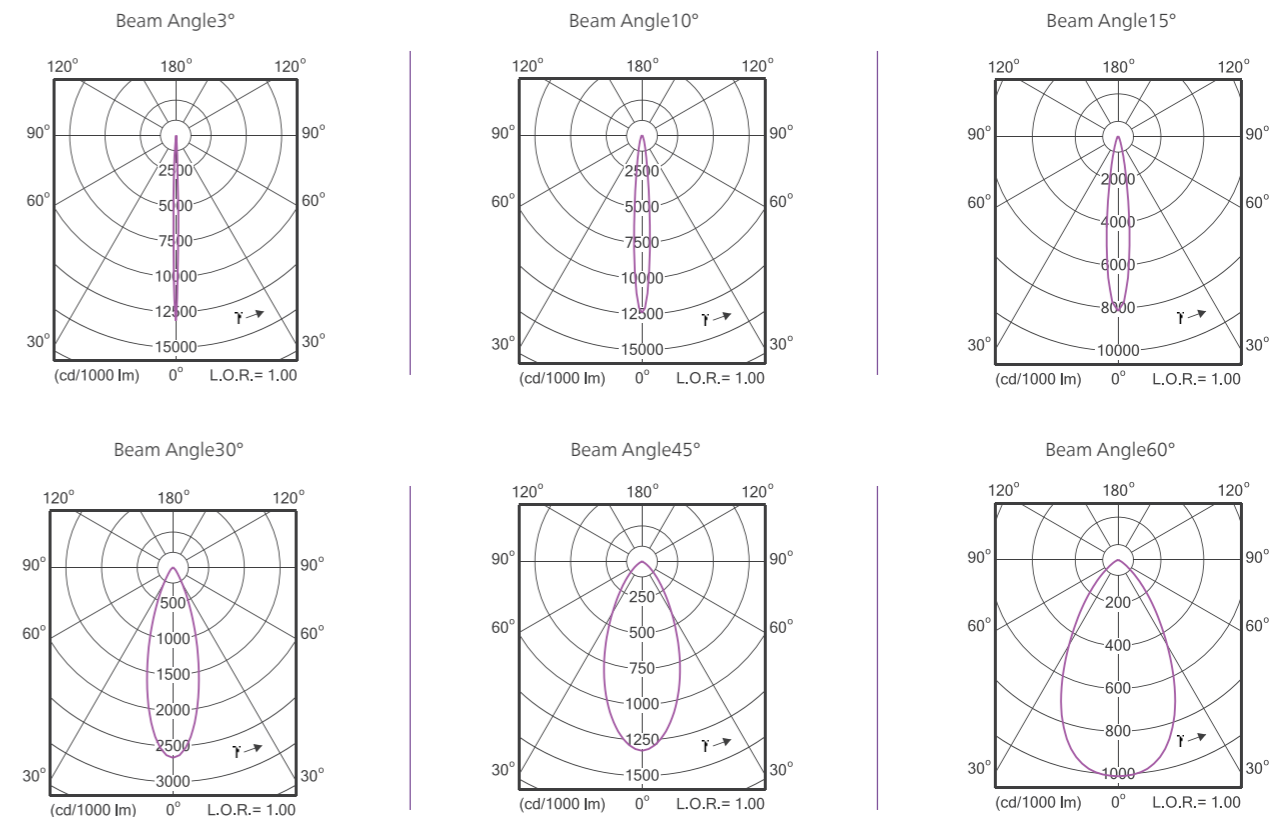
LxWxH.mm

BVP354



Light Distribution Curve

BVP354





**UniFlood M G2**  
(Triple-head)

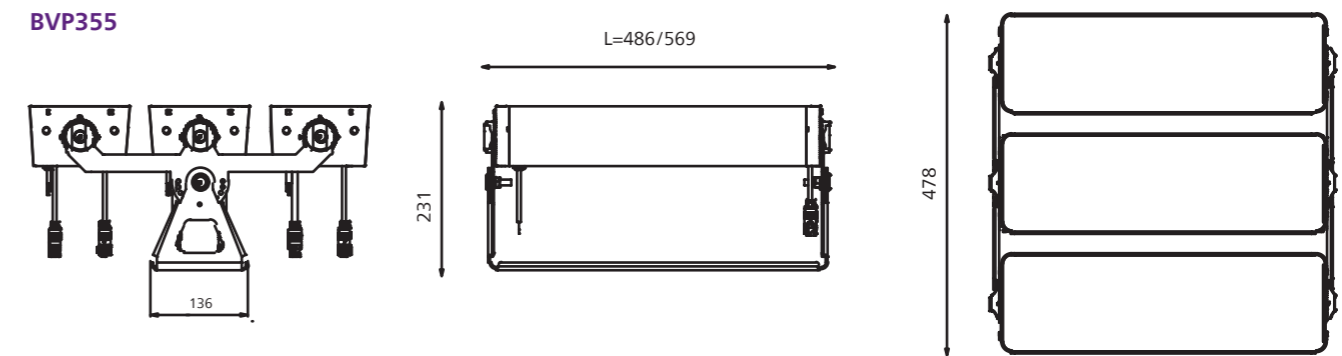
**Specifications**

	Product Series	<b>UniFlood M G2 Triple-head (BVP355)</b>	
Optical Parameters	Light Source	High-power LED	
	Lumen Maintenance	50000 hours L70B50 at 35°C	
	Max. LEDs	108LED	216LED
	Beam Angle	3°	10°,15°,30°,45°,60°
	Maximum Power	300W	450W
	Standard Color Temperature	3000K, 4000K	
	Optional Colors	RGB, RGBNW, RGBWW	
	CRI	80	
	White Light Color Tolerance	SDCM≤4	
	Color Wavelength Range	R: 620 to 625nm; G: 525 to 530nm; B: 470 to 475nm	
Luminaire Body Parameters	Housing	Aluminum profile	
	Surface	Electrostatically Sprayed Polyester Powder Coating	
	Housing Color	Dark Grey (RAL7012)	
	Bracket Material	Cold-rolled steel	
	Angle Adjustment	±45°	
	Lens Material	High-optical-efficiency PMMA lens with anti-aging and UV-resistant properties	
	Gasket	Silicone	
	Luminous Surface	Clear tempered glass	
	LxWxH.mm	L: 486/569 x W: 478 x H: 231mm (with bracket)	
	Weight	18.75 - 20.75kg	
Electrical Parameters	Temperature Range	-40°C to 50°C (Operating)	-35°C to 50°C (Startup)
			-40°C to 70°C (Storage)
	Protection Class	IP66, IK06	
Electrical Parameters	Control	On/Off & DMX512 (custom RDM)	
	Input Voltage	220-240 VAC, 50/60Hz	
Others	Certificate	CQC,CB,CE	
	Warranty Period	3 years	
	Accessories / ETO Options	Glare Shield (Three-sided / Four-sided), Striped / Honeycomb Louver	

**LED, Beam Angle, and Power Specifications**

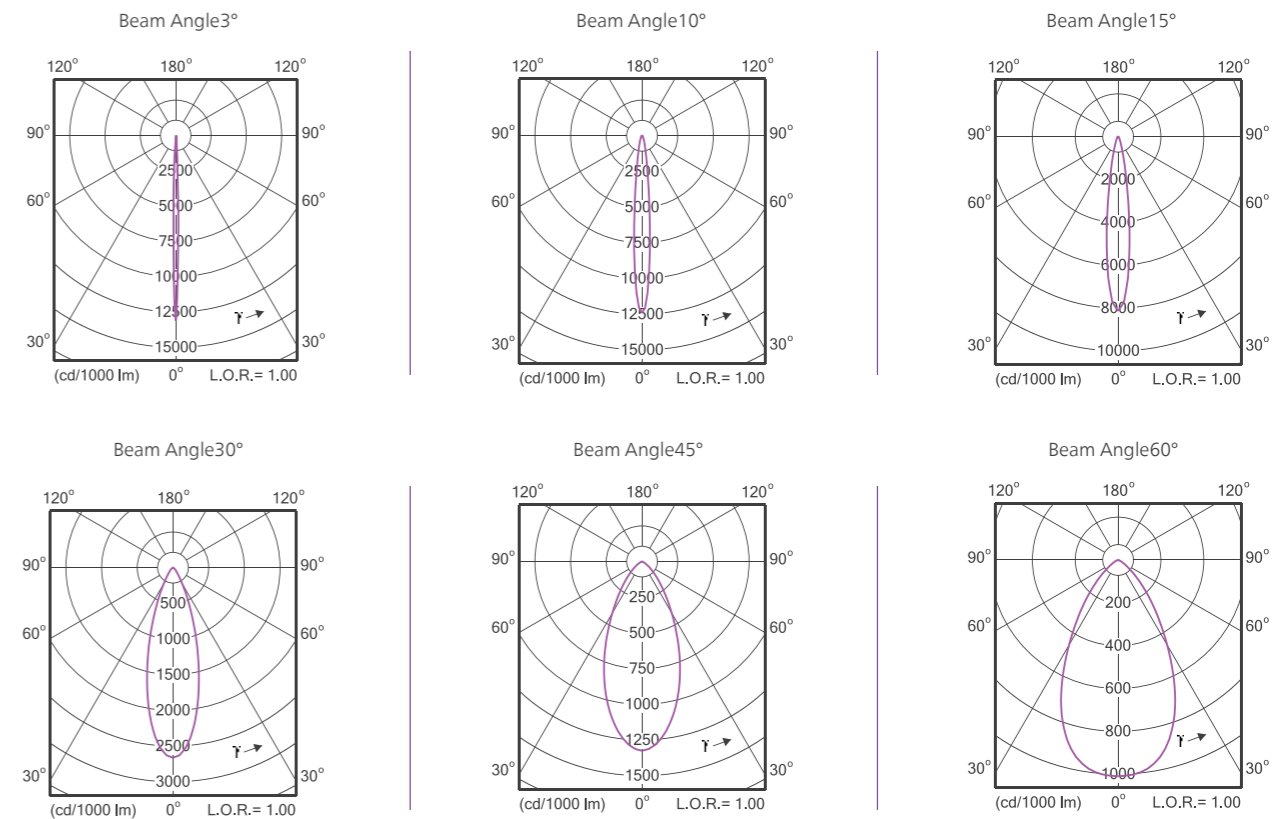
Model	<b>UniFlood M G2 Triple-head (BVP355)</b>			
Length	L50 – 486mm		L57 – 569mm	
LEDs	90LED (Single white & RGB)	96LED (RGBW)	180LED	108LED 216LED
Beam Angle	3°		10°,15°,30°, 45°,60°	3° 10°, 15°, 30°, 45°, 60°
Maximum Power	240W		360W	300W 450W

**LxWxH.mm**



**Light Distribution Curve**

**BVP355**



# UniFlood M G2 Compact



BVP353 MICRO



BVP353 Compact

The UniFlood M G2 Compact is a compact square-shaped floodlight designed for outdoor facade, Architecture, and floodlighting applications. With its robust housing design and efficient optical performance, it is the ideal choice for enhancing the layering of architectural facades. It offers a variety of color temperature and color options, including white light, single-color, RGB / RGBW, and tunable white, providing versatility in lighting schemes. Additionally, it features up to ten beam angle choices, empowering architects and lighting designers with unlimited freedom to explore and realize diverse design concepts.

## Features



### Stable and reliable

- Robust housing design & IP66 waterproof rating
- Lumen Maintenance - white: 50,000 hours L70 at 35°C; color: 50,000 hours L50 at 35°C



### Optimal effect

- Up to 10 beam angle options, with a minimum of 4.5°



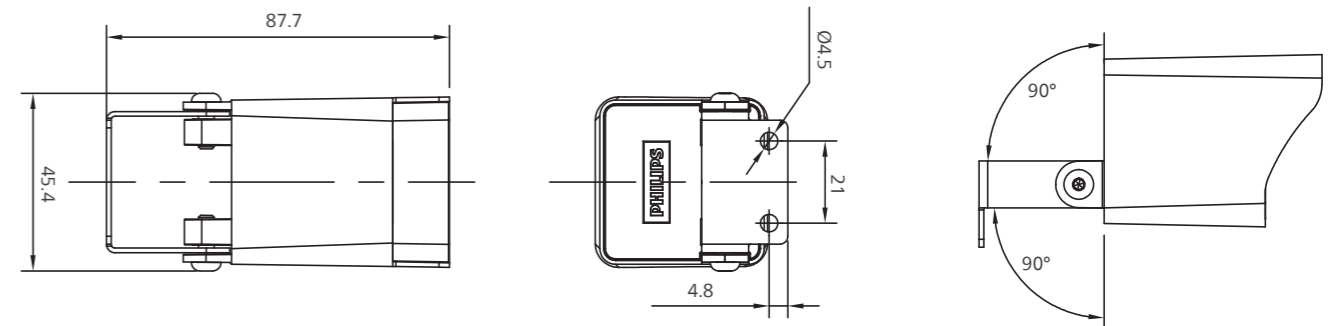




UniFlood M G2 Compact

LxWxH.mm

BVP353 MICRO

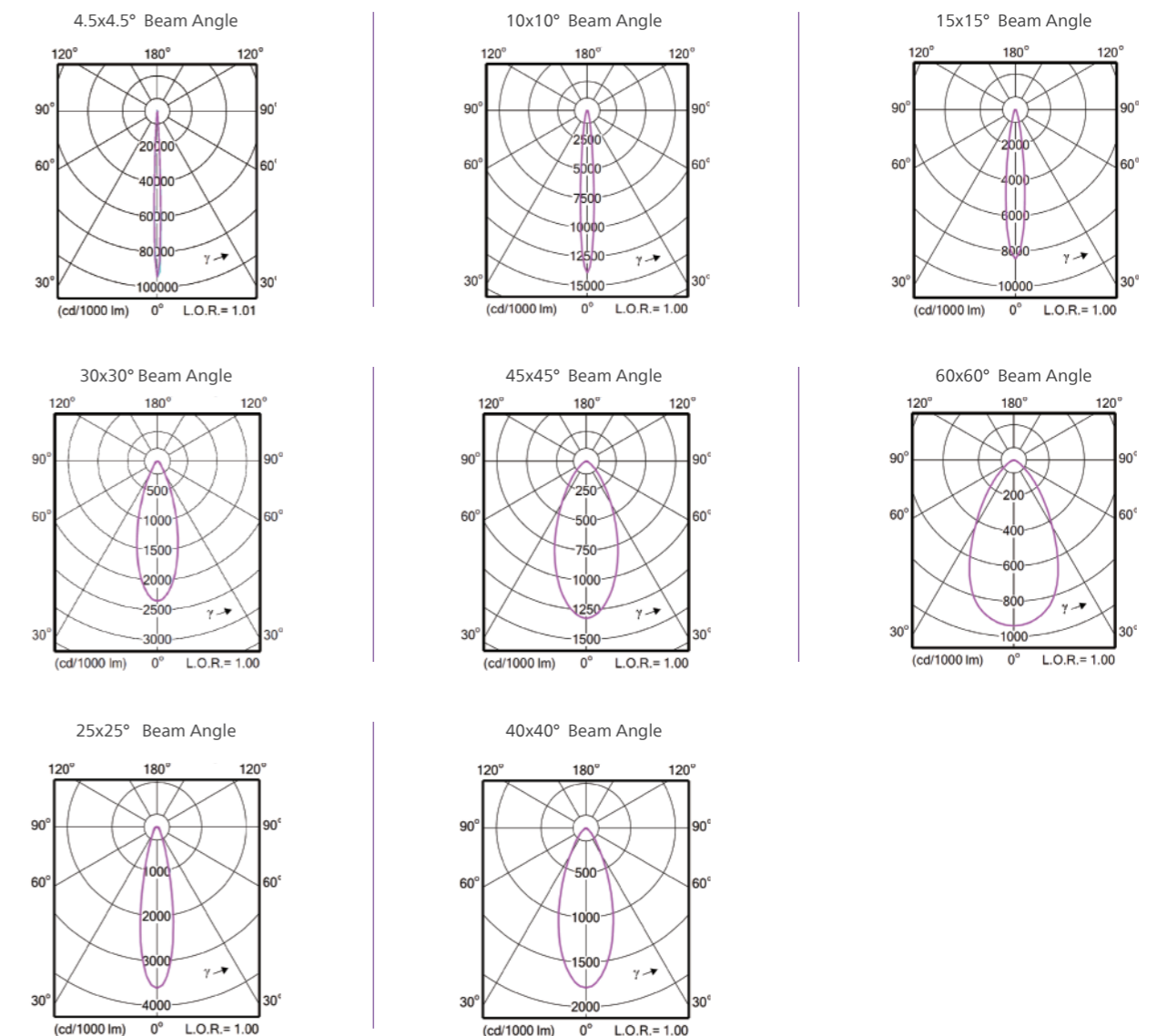


Specifications

	Product Series	UniFlood M G2 Compact (BVP353 MICRO)
Optical Parameters	Light Source	High-power LED
	Lumen Maintenance	White : 50000 hours L70B50 at 35°C / RGB: 50000 hours L50B50 at 35°C
	Max. LEDs	1LED
	Beam Angle	4.5°, 10°, 15°, 25°, 30°, 40°
	Maximum Power	3W
	Standard Color Temperature	3000K, 4000K
	Optional Colors	RGBWW, RGBNW
	CRI	80
	White Light Color Tolerance	SDCM<=4
	Color Wavelength Range	R: 620 to 625nm; G: 525 to 530nm; B: 470 to 475nm
Luminaire Body Parameters	Housing	Die-cast aluminum
	Surface	Electrostatic powder coating
	Housing Color	Dark Grey (RAL7012)
	Bracket Material	Stainless steel
	Angle Adjustment	Adjustable from -90° to +90°
	Lens Material	UV-resistant, aging-proof, high-efficiency PMMA lens
	Luminous Surface	Clear tempered glass
	LxWxH.mm	45.4mm x 42mm x 87.7mm (with bracket)
	Weight	0.19kg
	Temperature Range	-40°C to 50°C (Operating Temperature) -35°C to 50°C (Startup Temperature) -40°C to 70°C (Storage Temperature)
Electrical Parameters	Protection Class	IP66, IK06
	Control	On/Off & DMX512
	Input Voltage	24V DC
Others	Certificate	CE, CB, CQC
	Warranty Period	3 years

Light Distribution Curve

BVP353 MICRO

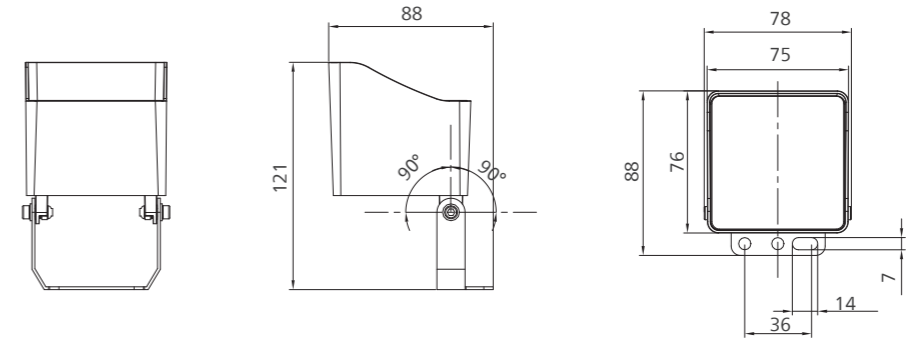




UniFlood M G2 Compact

LxWxH.mm

BVP353 C

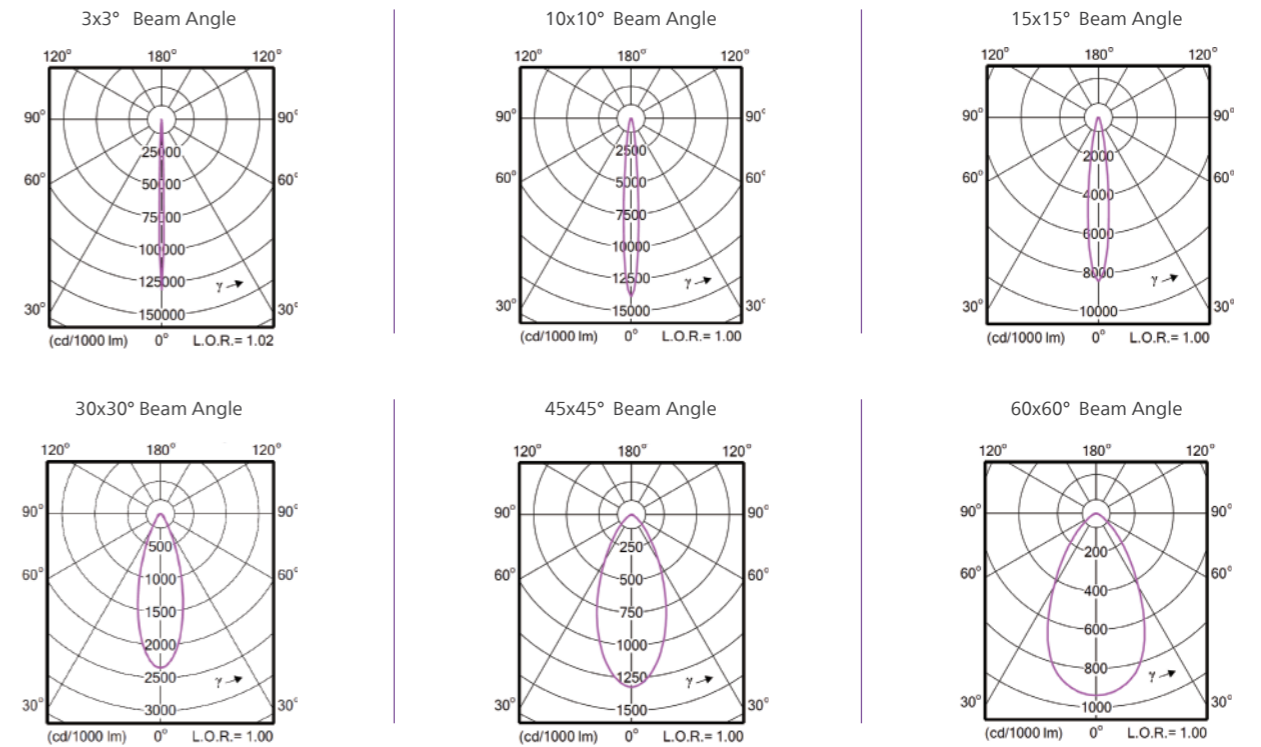


Specifications

	Product Series	UniFlood M G2 Compact (BVP353 C)		
Optical Parameters	Light Source	High-power LED		
	Lumen Maintenance	White : 50000 hours L70B50 at 35°C / RGB: 50000 hours L50B50 at 35°C		
	Max. LEDs	1LED	3LED	4LED
	Beam Angle	3°	10°, 15°, 30°	
	Maximum Power	2W, 2.5W, 3W	8W	7W, 10W
	Standard Color Temperature/Color	3000K, 4000K	RGB	3000K, 4000K, RGB, RGBW
	CRI	80		
	White Light Color Tolerance	SDCM<=4		
	Color Wavelength Range	R: 620 to 625nm; G: 525 to 530nm; B: 470 to 475nm		
	Luminaire Body Parameters	Housing	Die-cast aluminum	
Surface		Electrostatic powder coating		
Housing Color		Dark Grey (RAL7012)		
Bracket Material		Stainless steel		
Angle Adjustment		Adjustable from -90° to +90°		
Lens Material		UV-resistant, aging-proof, high-efficiency PMMA lens		
Luminous Surface		Clear tempered glass		
LxWxH.mm		78mm x 88mm x 121mm (with bracket)		
Weight		0.5kg		
Temperature Range		-40°C to 50°C (Operating Temperature) -35°C to 50°C (Startup Temperature) -40°C to 70°C (Storage Temperature)		
Electrical Parameters	Protection Class	IP66, IK06		
	Control	On/Off & DMX512		
Others	Input Voltage	24V DC		
	Certificate	CE, CB, CQC		
	Warranty Period	3 years		

Light Distribution Curve

BVP353 C



# UniFlood C Pro



Compact BVP371   Mini BVP372   Medium BVP373   Large BVP374

The UniFlood C Pro is a circular, outdoor-rated architectural LED floodlight designed specifically for facade, Architecture, and floodlighting applications. The innovative outer ring design, robust mechanical construction, and efficient optical design make it an ideal choice for illuminating multi-level facades, bridges, landmarks, and monuments. This product offers a variety of color temperatures and color options, six different beam angles, and DMX512 control, facilitating architects and designers to freely explore and perfectly realize various lighting concepts and designs. The luminaire features a high-strength die-cast aluminum housing combined with tempered glass, ensuring reliable quality and stable performance.

## Features

### High quality



- Maximum luminous flux output: 12,900lm (4000K, 30°)
- UV-resistant, high-efficiency PMMA lens
- Lumen Maintenance - white: 50,000 hours L70 at 35°C  
Color: 50,000 hours L50 at 35°C

### Optimal effect



- Various lens options available, with a minimum beam angle of 3.5 degrees
- Glare Shield, with built-in honeycomb louver among multiple accessory options to enhance glare control
- Standard On-Off & DMX control mode ensuring optimal presentation of lighting effects

### Stable and reliable



- The luminaire features a high-strength die-cast aluminum housing combined with tempered glass, ensuring reliable quality and stable performance
- The luminous surface features a self-draining design to prevent water accumulation and dust buildup, particularly suited for upward floodlighting applications
- Optimized heat dissipation design, withstanding high temperatures and extreme cold
- Equipped with a built-in anti-fall chain and a premium-quality breather

### Convenient and simple



- Signal wires are connected in a daisy chain manner, equipped with built-in IP67 water-proof connectors
- Dedicated address lines for faster and easier DMX addressing, compatible with the handheld address writer (ZXP399)
- Grounding accessories available (for compact only)





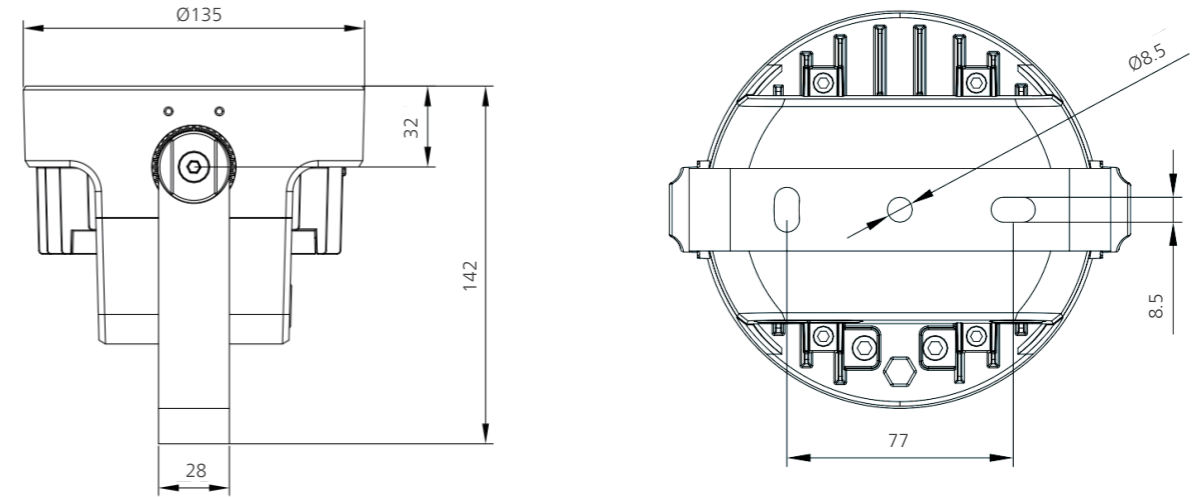
UniFlood C Pro (Compact)

Specifications

	Product Series	UniFlood C Pro Compact (BVP371)
Optical Parameters	Light Source	High-power LED
	Lumen Maintenance	50000 hours L70B50 at 35°C
	Max. LEDs	12LED
	Beam Angle	10°, 15°, 30°, 45°, 60°
	Maximum Power	24W
	Optional Color Temperature	3000K, 4000K
	Optional Colors	RGB, RGBWW, RGBNW
	CRI	80
	White Light Color Tolerance	SDCM<=4
	Color Wavelength Range	R: 620 to 625nm; G: 525 to 530nm; B: 470 to 475nm
Luminaire Body Parameters	Housing	Die-cast aluminum
	Surface	Electrostatically Sprayed Polyester Powder Coating
	Housing Color	Dark Grey (RAL7012)
	Bracket Material	Cold-rolled steel
	Angle Adjustment	±90°
	Lens Material	High-optical-efficiency PMMA lens with anti-aging and UV-resistant properties
	Gasket	Silicone
	Luminous Surface	Clear tempered glass
	LxWxH.mm	Ø135mmx142mm (with bracket)
	Weight	1.8kg
Electrical Parameters	Temperature Range	-40°C to 50°C (Operating) -35°C to 50°C (Startup) -40°C to 70°C (Storage)
	Protection Class	IP66, IK06
	Control	On/Off & DMX512 (custom RDM)
Others	Input Voltage	220-240 VAC, 50/60Hz
	Certificate	CE, CB, CQC
	Warranty Period	3 years
	Accessories / ETO Options	Glare Shield / Built-in Louver

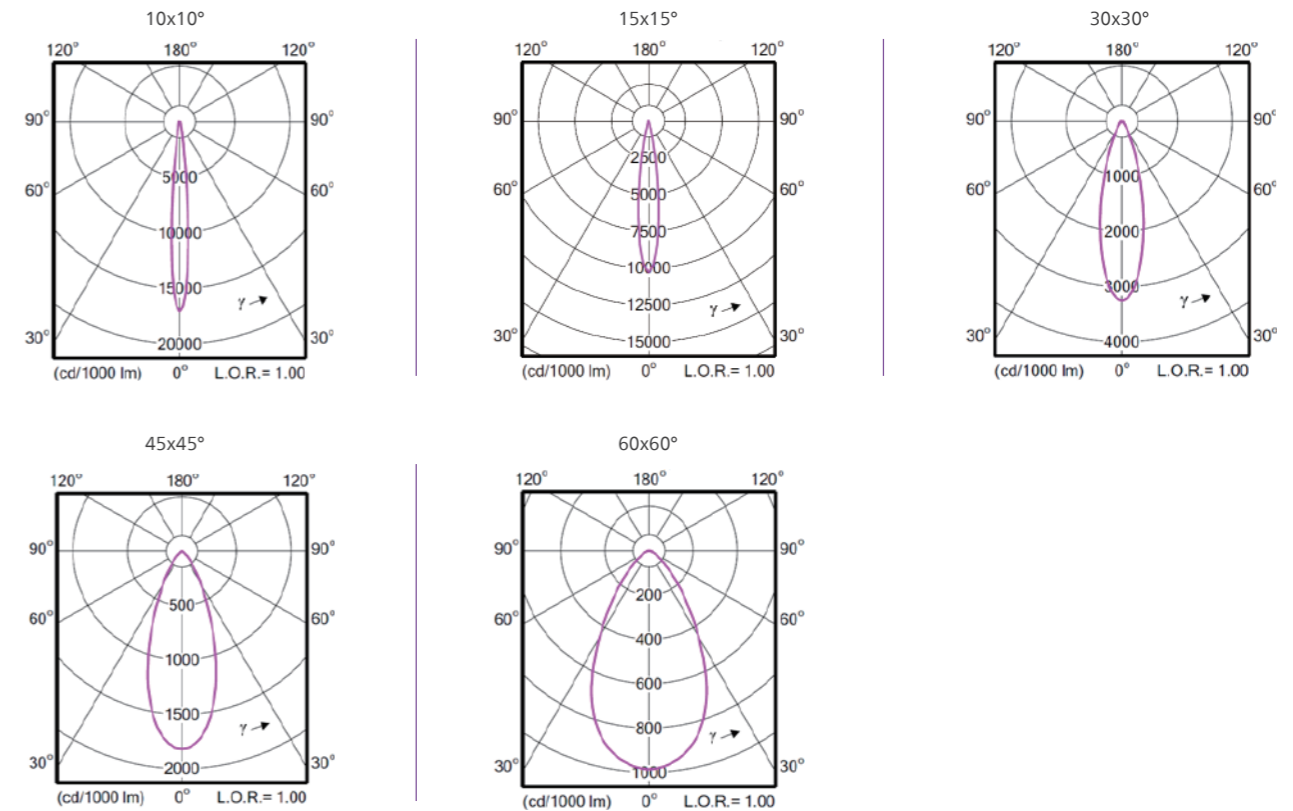
LxWxH.mm

BVP371



Light Distribution Curve

BVP371

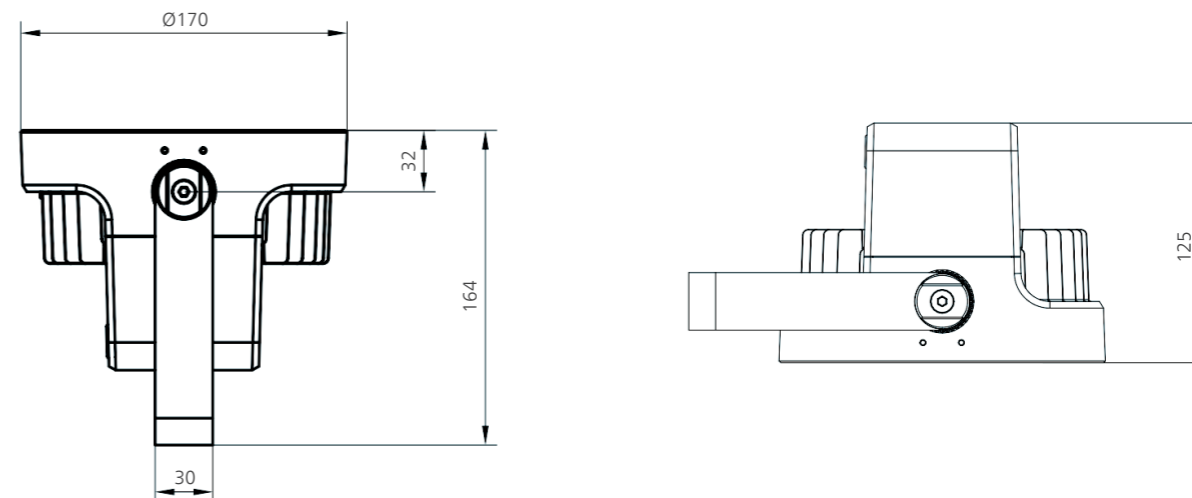




UniFlood C Pro (Mini)

LxWxH.mm

BVP372

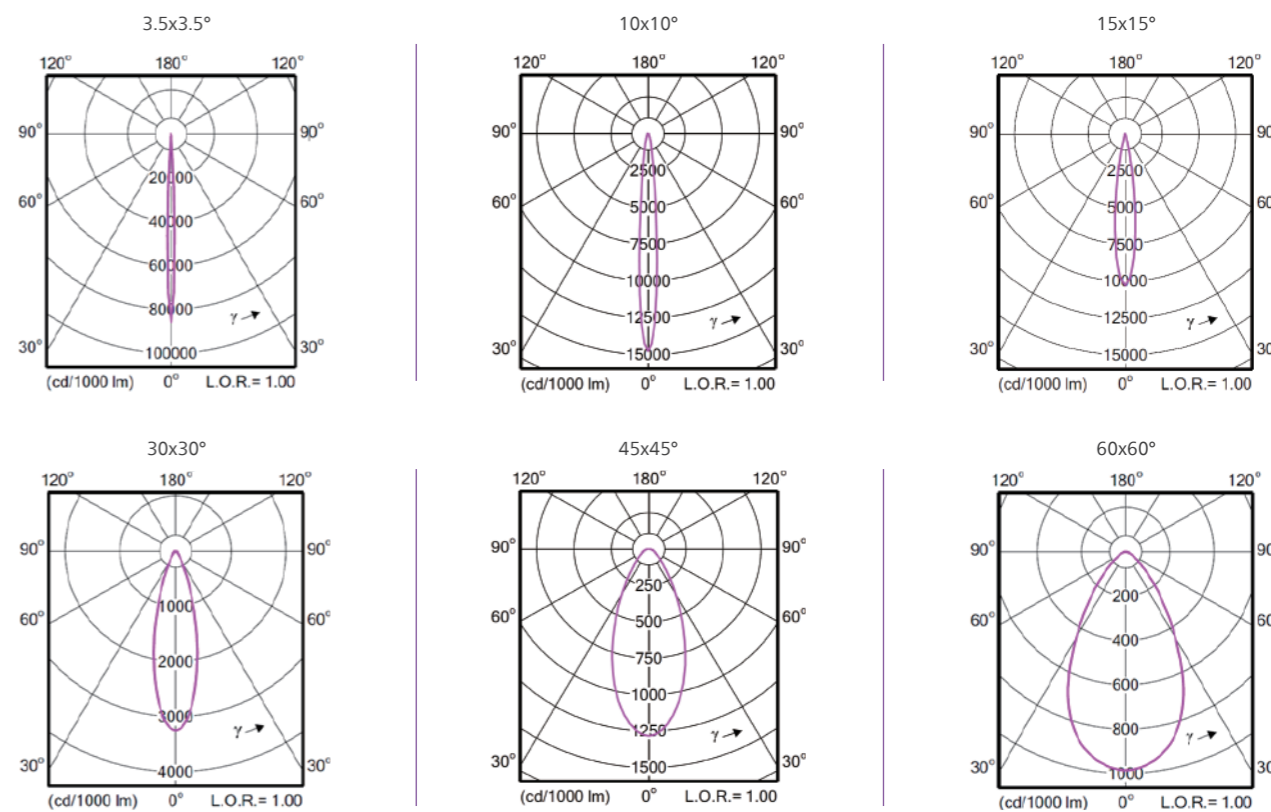


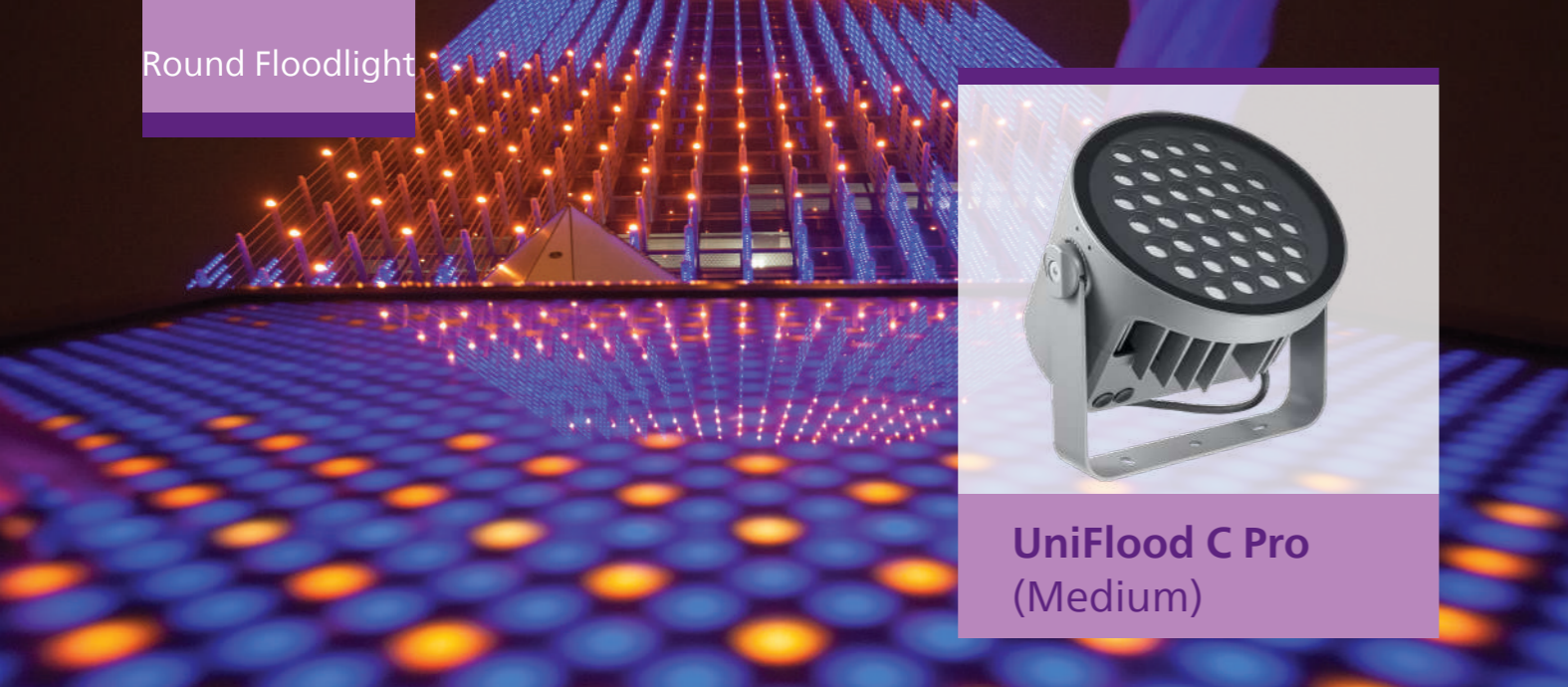
Specifications

	Product Series	UniFlood C Pro Small (BVP372)		
Optical Parameters	Light Source	High-power LED		
	Lumen Maintenance	50000 hours L70B50 at 35°C		
	Max. LEDs	6LED	15/16LED	18/20LED
	Beam Angle	3.5°	10°, 15°, 30°, 45°, 60°	
	Maximum Power	15W	40W	50W
	Optional Color Temperature	3000K, 4000K		
	Optional Colors	RGB, RGBWW, RGBNW		
	CRI	80		
	White Light Color Tolerance	SDCM<=4		
	Color Wavelength Range	R: 620 to 625nm; G: 525 to 530nm; B: 470 to 475nm		
Luminaire Body Parameters	Housing	Die-cast aluminum		
	Surface	Electrostatically Sprayed Polyester Powder Coating		
	Housing Color	Dark Grey (RAL7012)		
	Bracket Material	Cold-rolled steel		
	Angle Adjustment	±90°		
	Lens Material	High-optical-efficiency PMMA lens with anti-aging and UV-resistant properties		
Luminaire Body Parameters	Gasket	Silicone		
	Luminous Surface	Clear tempered glass		
	LxWxH.mm	Ø170mmx164mm (with bracket)		
	Weight	3kg		
Luminaire Body Parameters	Temperature Range	-40°C to 50°C (Operating) -35°C to 50°C (Startup) -40°C to 70°C (Storage)		
	Protection Class	IP66, IK06		
Electrical Parameters	Control	On/Off & DMX512 (custom RDM)		
	Input Voltage	220-240 VAC, 50/60Hz		
Others	Certificate	CE, CB, CQC		
	Warranty Period	3 years		
	Accessories / ETO Options	Glare Shield / Built-in Louver		

Light Distribution Curve

BVP372





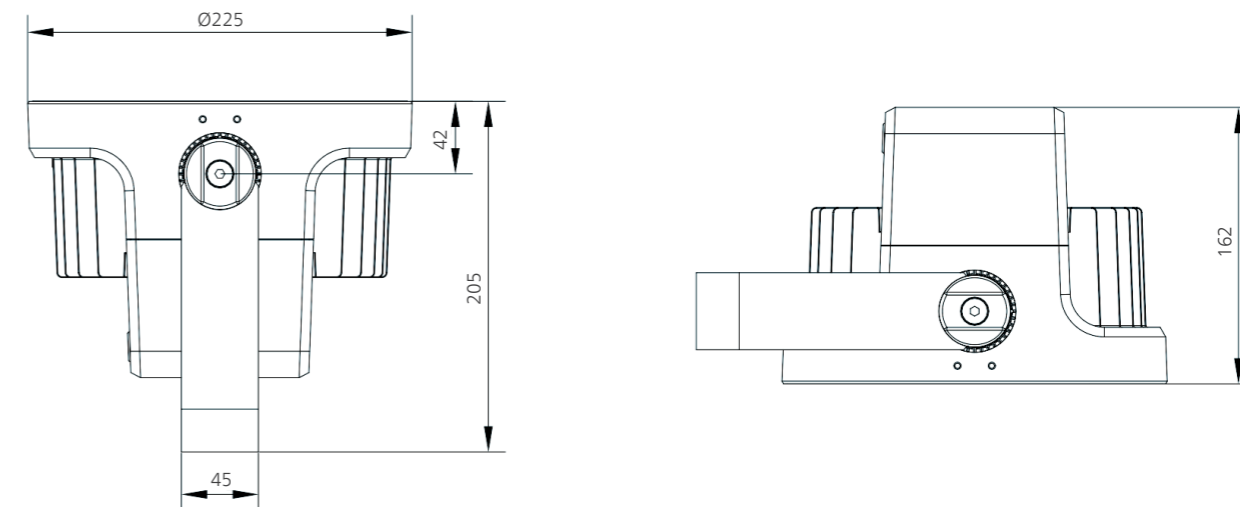
**UniFlood C Pro (Medium)**

**Specifications**

	Product Series	<b>UniFlood C Pro Medium (BVP373)</b>		
Optical Parameters	Light Source	High-power LED		
	Lumen Maintenance	50000 hours L70B50 at 35°C		
	Max. LEDs	18LED	30/32LED	36LED
	Beam Angle	3.5°	10°, 15°, 30°, 45°, 60°	
	Maximum Power	45W	80W	100W
	Optional Color Temperature	3000K, 4000K		
	Optional Colors	RGB, RGBWW, RGBNW		
	CRI	80		
	White Light Color Tolerance	SDCM<=4		
	Color Wavelength Range	R: 620 to 625nm; G: 525 to 530nm; B: 470 to 475nm		
Luminaire Body Parameters	Housing	Die-cast aluminum		
	Surface	Electrostatically Sprayed Polyester Powder Coating		
	Housing Color	Dark Grey (RAL7012)		
	Bracket Material	Cold-rolled steel		
	Angle Adjustment	±90°		
	Lens Material	High-optical-efficiency PMMA lens with anti-aging and UV-resistant properties		
	Gasket	Silicone		
	Luminous Surface	Clear tempered glass		
	LxWxH.mm	Ø225mmx205mm (with bracket)		
	Weight	6kg		
Electrical Parameters	Temperature Range	-40°C to 50°C (Operating) -35°C to 50°C (Startup) -40°C to 70°C (Storage)		
	Protection Class	IP66, IK06		
	Control	On/Off & DMX512 (custom RDM)		
	Input Voltage	220-240 VAC, 50/60Hz		
Others	Certificate	CE, CB, CQC		
	Warranty Period	3 years		
	Accessories / ETO Options	Glare Shield / Built-in Louver		

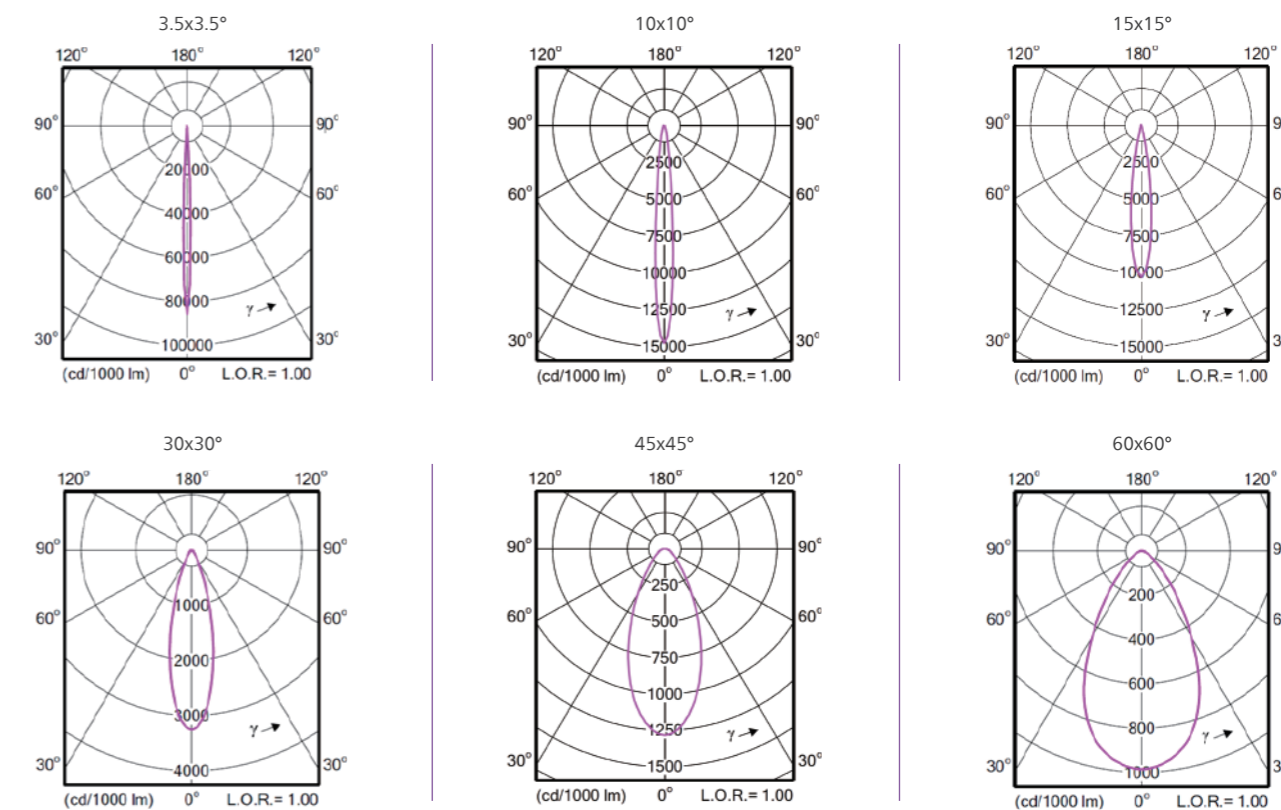
**LxWxH.mm**

**BVP373**



**Light Distribution Curve**

**BVP373**

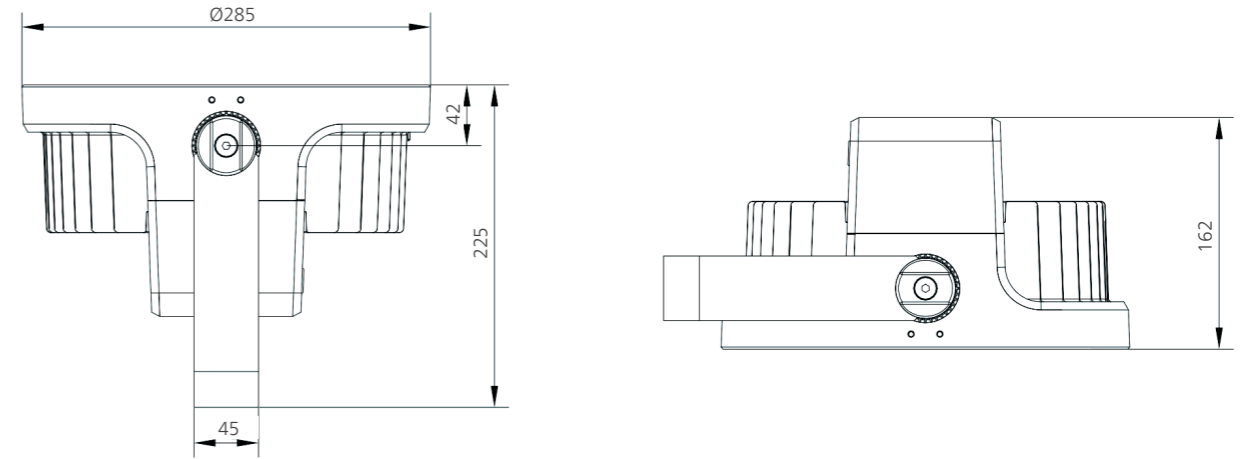




**UniFlood C Pro (Large)**

**LxWxH.mm**

**BVP374**

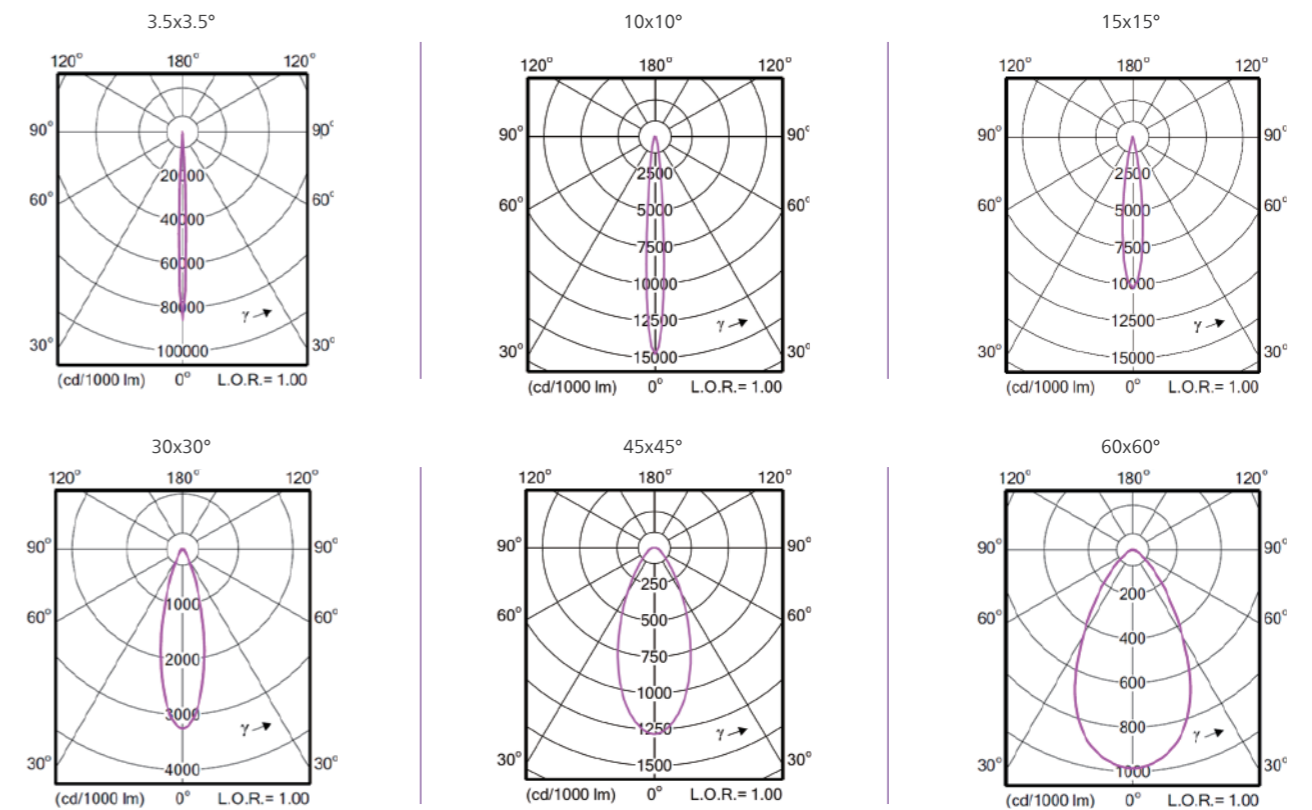


**Specifications**

	Product Series	UniFlood C Pro Large (BVP374)		
Optical Parameters	Light Source	High-power LED		
	Lumen Maintenance	50000 hours L70B50 at 35°C		
	Max. LEDs	30LED	48LED	60LED
	Beam Angle	3.5°	10°, 15°, 30°, 45°, 60°	
	Maximum Power	80W	120W	150W
	Optional Color Temperature	3000K, 4000K		
	Optional Colors	RGB, RGBWW, RGBNW		
	CRI	80		
	White Light Color Tolerance	SDCM<=4		
	Color Wavelength Range	R: 620 to 625nm; G: 525 to 530nm; B: 470 to 475nm		
Luminaire Body Parameters	Housing	Die-cast aluminum		
	Surface	Electrostatically Sprayed Polyester Powder Coating		
	Housing Color	Dark Grey (RAL7012)		
	Bracket Material	Cold-rolled steel		
	Angle Adjustment	±90°		
	Lens Material	High-optical-efficiency PMMA lens with anti-aging and UV-resistant properties		
	Gasket	Silicone		
	Luminous Surface	Clear tempered glass		
	LxWxH.mm	Ø285mmx225mm (with bracket)		
	Weight	8kg		
Electrical Parameters	Temperature Range	-40°C to 50°C (Operating) -35°C to 50°C (Startup) -40°C to 70°C (Storage)		
	Protection Class	IP66, IK06		
	Control	On/Off & DMX512 (custom RDM) 220-240 VAC, 50/60Hz		
Others	Certificate	CE, CB, CQC		
	Warranty Period	3 years		
	Accessories / ETO Options	Glare Shield / Built-in Louver		

**Light Distribution Curve**

**BVP374**





## UniStrip G5 DC (Low Voltage Version)

## UniStrip G5 AC (High Voltage Version)



BCP356



BCP351



BCP352



BCP354



BCP385

Beam Angle (°)	30/45/60/20x30 (White) 30/25x35 (Color)	12/17/30/45/60/15x30/20x55 (White) 15/25/40/12x45/15x55(RGBW)	12/17/30/45/60/15x30/20x55 (White) 15/30/45/60/12x30/12x50(RGB) 15/25/40/60/12x45/15x55(RGBW)
Luminous Flux (max.lm@4000K)	350/585/1170	522/1044/2088	1044/1566/3132
Color Temperature	3000K/4000K/RGB/RGBWW/RGBNW	3000K/4000K/RGB/RGBWW/RGBNW	3000K/4000K/RGB/RGBWW/RGBNW
Power (W)	4.5/7.5/15	6/12/24	12/18/36
LEDs	12/18/30/60	6/12/24	12/18/36
LxWxH.mm	300/500/1000(L) x 24(W) x 66(H) (with bracket)	300/500/1000(L) x 38(W) x 82(H) (with bracket)	300/500/1000(L) x 38(W) x 88(H) (with bracket)
Input Voltage	24V DC	24V DC	24V DC
IP	IP66	IP66	IP66
IK Rating	IK06	IK06	IK06
Protection class IEC	Class III	Class III	Class III
Control Method	ON-OFF/DMX512	ON-OFF/DMX512	ON-OFF/DMX512
Weight (kg)	0.3/0.45/0.85	0.36/0.7/1.3	0.5/0.75/1.4
Optional Accessories	Glare Shield / Steel wire rope	Glare Shield / Steel wire rope	Glare Shield / Steel wire rope
Working Temperature	-40°C to 50°C (Operating Temperature)	-40°C to 50°C (Operating Temperature)	-40°C to 50°C (Operating Temperature)

Beam Angle (°)	10/15/17/30/45/60/12x30/12x50/15x30/20x55 (White) 10/15/25/30/40/45/60/12x30/12x45/12x50/15x55 (RGB/RGBW)	7.5 (White) 7.5x27 (White/RGB) 15x40 (RGBW)
Luminous Flux (max.lm@4000K)	2600/4150/8100	3020/3750/6010/7510
Color Temperature	3000K/4000K/RGB/RGBWW/RGBNW	3000K/4000K/RGB/RGBWW/RGBNW
Power (W)	32/50/100	50/60/100/120
LEDs	12/18/36/72	6/12/24/30/48/60
LxWxH.mm	300/500/1000(L) x 81(W) x 92(H) (with bracket)	520/1000(L) x 158(W) x 88(H) (with bracket)
Input Voltage	220V AC	220V AC
IP	IP66	IP66
IK Rating	IK06	IK06
Protection class IEC	Class I	Class I
Control Method	ON-OFF/DMX512	ON-OFF/DMX512
Weight (kg)	1.1/2/3.6	4.5/8.5
Optional Accessories	Glare Shield / Steel wire rope	Glare Shield / Steel wire rope
Working Temperature	-40°C to 50°C (Operating Temperature)	-40°C to 50°C (Operating Temperature)





## UniStrip G5 Compact Pro



BCP402

Beam Angle (°)	A30+15x45(Single White)/15x60 (Single white, RGB, RGBW)
Luminous Flux (max.lm@4000K)	/
Color Temperature	3000K/4000K/RGB/RGBWW/RGBNW
Power (W)	3/3.6/6/7.5/10/18/12/15/36
LEDs	12/18/24/30/48/60
LxWxH.mm	300/500/1000(L)x30(W)x69(H) (with bracket)
Input Voltage	24V DC
IP	IP66
IK Rating	IK06
Protection class IEC	Class III
Control Method	ON-OFF/DMX512
Weight (kg)	0.3/0.5/0.9
Optional Accessories	Glare Shield / Steel wire rope
Working Temperature	-40°C to 50°C (Operating Temperature)

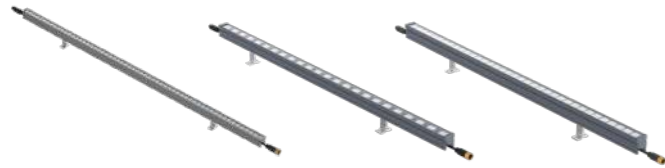
## UniEdge



BCP390

Beam Angle (°)	3x90
Luminous Flux (max.lm@4000K)	165
Color Temperature	3000K/4000K/RGB/RGBWW/RGBNW
Power (W)	7/10
LEDs	3/4
LxWxH.mm	181(L)x62(W)x51(H) (with bracket)
Input Voltage	24V DC
IP	IP66
IK Rating	IK06
Protection class IEC	Class III
Control Method	ON-OFF/DMX512/RDM
Weight (kg)	0.85
Optional Accessories	/
Working Temperature	-40°C to 50°C (Operating Temperature)

# UniStrip G5 DC (Low Voltage Version)



BCP356

BCP351

BCP352

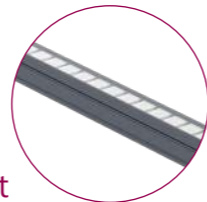
UniStrip G5 DC (Low Voltage Version) is a surface-mounted, compact LED wall washer and grazer designed specifically for exterior and outdoor architectural lighting applications. Its robust mechanical build and unique optical design make it an ideal choice for illuminating building facades, bridges, overpasses, and any application requiring a linear lighting solution.

## Features



### High quality

- Multi-pixel point solution (standard products can achieve up to 8 segments / meter)
- Lumen Maintenance - white: 50,000 hours L70 at 35°C; color: 50,000 hours L50 at 35°C



### Optimal effect

- Various high-quality PMMA or PC lenses



### Stable and reliable

- The luminaire and end caps feature a self-draining design to prevent water accumulation and dust buildup
- Optional anti-glare hood for a more comfortable visual experience



### Convenient and simple

- Power and signal wires are connected in a daisy chain manner, equipped with built-in IP67 waterproof connectors
- Dedicated address lines for faster and easier DMX addressing, compatible with the handheld address writer (ZXP399)

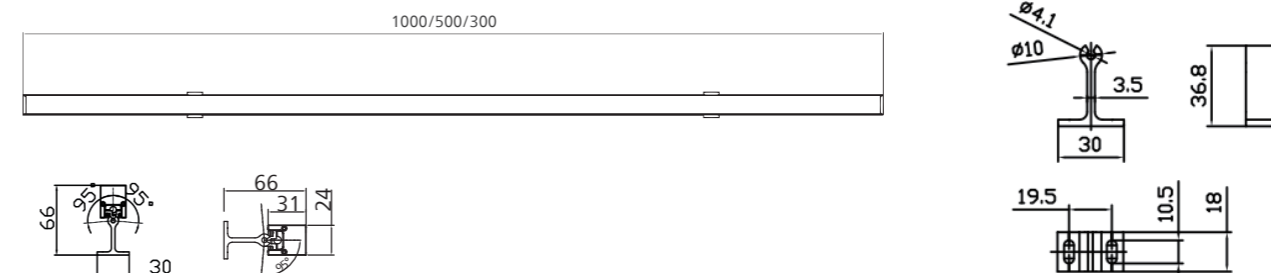




UniStrip G5 DC  
(Low Voltage Version)

LxWxH.mm

BCP356

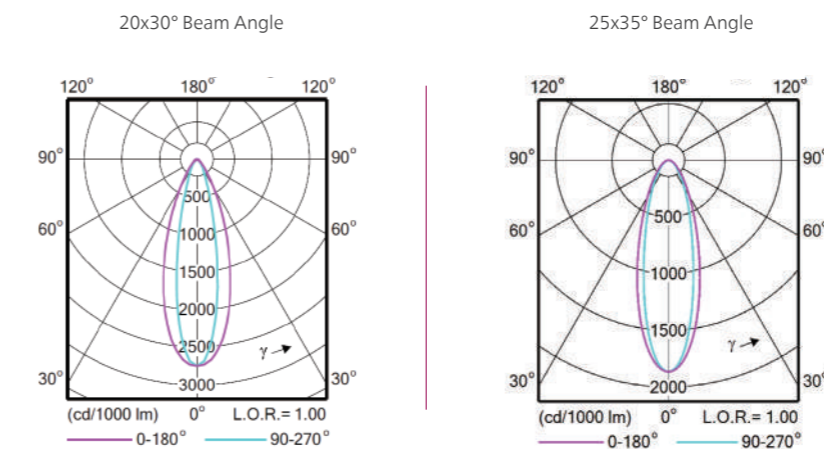


Specifications

	Product Series	<b>UniStrip G5 DC (Low Voltage Version)(BCP356)</b>								
Optical Parameters	Light Source	Low-power LED								
	Lumen Maintenance	50000 hours L70B50 at 35°C								
	Max. LEDs	300mm			500mm			1000mm		
		18LED (Single White)	12LED (RGB)	12LED (RGBW)	30LED (Single White)	24LED (RGB)	30LED (RGBW)	60LED (Single White)	48LED (RGB)	60LED (RGBW)
	Beam Angle	30°/45°/60°/20x30°(White); 30°/25x35°(Color)								
	Maximum Power	4.5W	3W	3.6W	7.5W	6W	7.5W	15W	12W	15W
	Optional Color Temperature	3000K, 4000K								
	Optional Colors	RGB, RGBW								
	CRI	80								
	White Light Color Tolerance	SDCM<=4								
Luminaire Body Parameters	Color Wavelength Range	R: 620 to 625nm; G: 525 to 530nm; B: 470 to 475nm								
	Housing	Extruded aluminum housing + die-cast aluminum end caps								
	Surface	Electrostatically applied polyester powder coating								
	Housing Color	Dark Grey (RAL7012)								
	Bracket Material	Extruded aluminum								
	Angle Adjustment	Adjustable angle ±95°								
	Lens Material	UV-resistant and aging-resistant PMMA or PC lens								
	Gasket	Silicone								
	Luminous Surface	Clear tempered glass								
	LxWxH.mm	1000/500/300mmx24mmx66mm								
	Weight	0.3kg			0.45kg			0.85kg		
		-40°C to 50°C (Operating) -35°C to 50°C (Startup) -40°C to 70°C (Storage)								
	Protection Class	IP66, IK06								
	Electrical Parameters	Control	On / Off or DMX512 (supports multi-segment control, e.g., 8 segments / meter)							
Input Voltage		24V DC								
Others	Certificate	CQC, CB, CE								
	Warranty Period	3 years								
	Accessories / ETO Options	Glare Shield / Steel wire rope								

Light Distribution Curve

BCP356





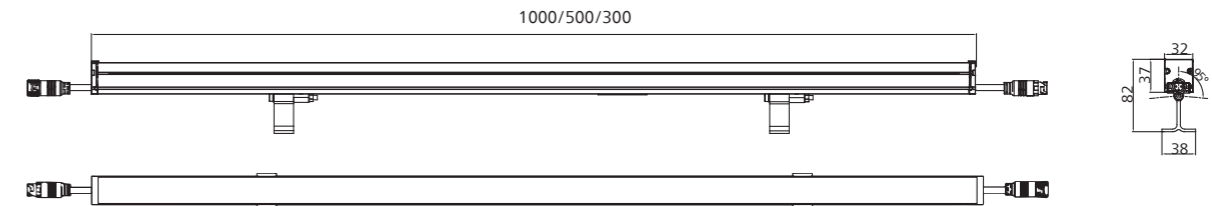
**UniStrip G5 DC**  
(Low Voltage Version)

### Specifications

	Product Series	UniStrip G5 DC (Low Voltage Version) (BCP351)			
Optical Parameters	Light Source	Low-power LED			
	Lumen Maintenance	50000 hours L70B50 at 35°C			
	Max. LEDs	300mm		500mm	1000mm
		9LED (Single White)	8LED (RGBW)	12LED	24LED
	Beam Angle	17°/30°/45°/60°/12°x45°/15°x30°/20°x55°(White);15°/25°/40°/12°x45°/15°x55°(RGBW)			
	Maximum Power	9W	8W	12W	24W
	Optional Color Temperature	3000K, 4000K			
	Optional Colors	RGB, RGBW			
	CRI	80			
	White Light Color Tolerance	SDCM≤4			
Luminaire Body Parameters	Color Wavelength Range	R: 620 to 625nm; G: 525 to 530nm; B: 470 to 475nm			
	Housing	Extruded aluminum housing + die-cast aluminum end caps			
	Surface	Electrostatically applied polyester powder coating			
	Housing Color	Dark Grey (RAL7012)			
	Bracket Material	Extruded aluminum			
	Angle Adjustment	Adjustable angle ±95°			
	Lens Material	UV-resistant and aging-resistant PMMA or PC lens			
	Gasket	Silicone			
	Luminous Surface	Clear tempered glass			
	LxWxH.mm	1000/500/300mmx38mmx82mm			
	Weight	0.36kg	0.7kg	1.3kg	
	Temperature Range	-40°C to 50°C (Operating) -35°C to 50°C (Startup) -40°C to 70°C (Storage)			
	Protection Class	IP66, IK06			
Electrical Parameters	Control	On / Off or DMX512 (supports multi-segment control, e.g., 8 segments / meter)			
	Input Voltage	24V DC			
Others	Certificate	CQC, CB, CE			
	Warranty Period	3 years			
	Accessories / ETO Options	Glare Shield / Steel wire rope			

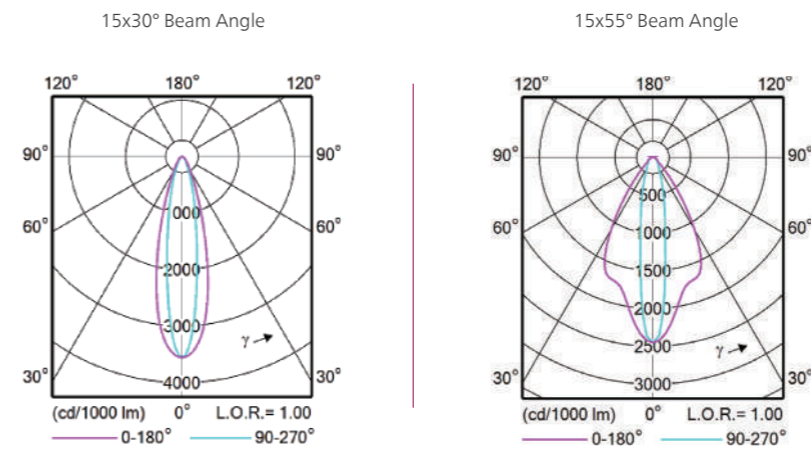
### LxWxH.mm

#### BCP351



### Light Distribution Curve

#### BCP351

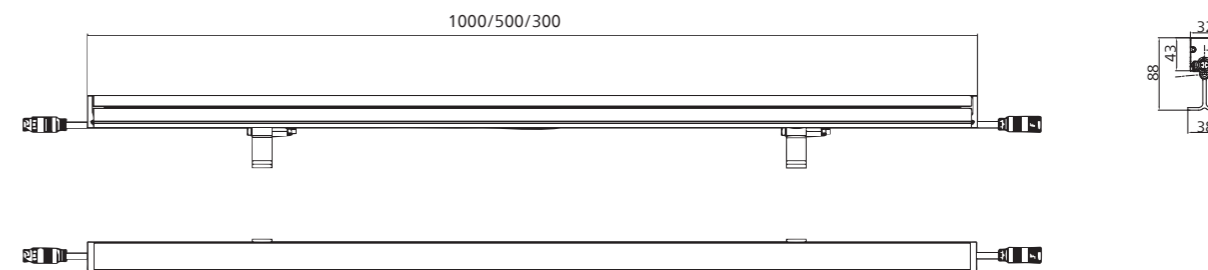




**UniStrip G5 DC**  
(Low Voltage Version)

**LxWxH.mm**

**BCP352**

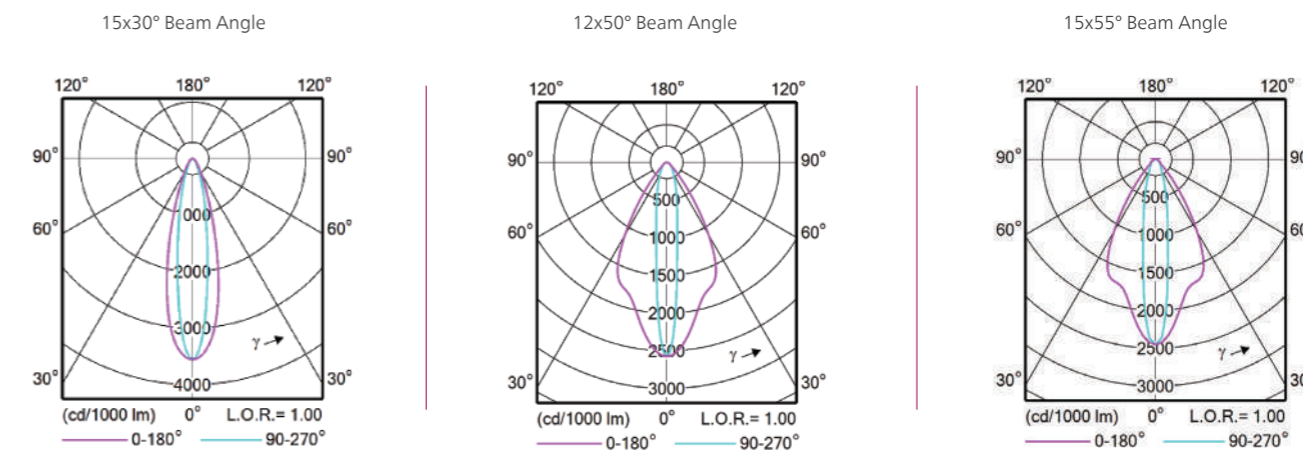


**Specifications**

	Product Series	<b>UniStrip G5 DC (Low Voltage Version)(BCP352)</b>					
Optical Parameters	Light Source	Low-power LED					
	Lumen Maintenance	50000 hours L70B50 at 35°C					
	Max. LEDs	300mm		500mm		1000mm	
		12LED (Single white/RGB)	6LED (RGBW)	18LED (Single white/RGB)	12LED (RGBW)	36LED (WH/RGB)	24LED (RGBW)
	Beam Angle	12°/17°/30°/45°/60°/15°x30°/20°x55°(White)					
		15°/30°/45°/60°/12°x30°/12°x50°(RGB)					
		15°/25°/40°/60°/12°x45°/15°x55°(RGBW)					
	Maximum Power	12W	6W	18W		36W	
	Optional Color Temperature	3000K, 4000K					
	Optional Colors	RGB, RGBW					
CRI	80						
White Light Color Tolerance	SDCM≤4						
Color Wavelength Range	R: 620 to 625nm; G: 525 to 530nm; B: 470 to 475nm						
Luminaire Body Parameters	Housing	Extruded aluminum housing + die-cast aluminum end caps					
	Surface	Electrostatically applied polyester powder coating					
	Housing Color	Dark Grey (RAL7012)					
	Bracket Material	Extruded aluminum					
	Angle Adjustment	Adjustable angle ±95°					
	Lens Material	UV-resistant and aging-resistant PMMA or PC lens					
	Gasket	Silicone					
	Luminous Surface	Clear tempered glass					
	LxWxH.mm	1000/500/300mmx38mmx88mm (with bracket)					
	Weight	0.5kg	0.75kg		1.4kg		
Temperature Range	-40°C to 50°C (Operating)						
	-35°C to 50°C (Startup)						
	-40°C to 70°C (Storage)						
Protection Class	IP66, IK06						
Electrical Parameters	Control	On / Off or DMX512 (supports multi-segment control, e.g., 8 segments / meter)					
	Input Voltage	24V DC					
Others	Certificate	CQC, CB, CE					
	Warranty Period	3 years					
	Accessories / ETO Options	Glare Shield / Steel wire rope					

**Light Distribution Curve**

**BCP352**



# UniStrip G5 AC (High Voltage Version)



BCP354



BCP385

UniStrip G5 AC (High Voltage Version) is a surface-mounted, compact LED wall washer designed specifically for facade and outdoor architectural lighting applications. Its robust mechanical build and unique optical design make it an ideal choice for illuminating building facades, bridges, overpasses, and any application requiring a linear lighting solution.

## Features



### High quality

- Maximum luminous flux output of 8100lm (at 4000K), with a maximum power of up to 120W
- The narrowest beam angle can be 7.5°
- Lumen Maintenance - white: 50,000 hours L70 at 35°C; color: 50,000 hours L50 at 35°C



### Optimal effect

- Multi-pixel point solution (up to 6 segments / meter)
- Multiple high-quality PMMA lens options available



### Stable and reliable

- The luminaire and end caps feature a self-draining design to prevent water accumulation and dust buildup



### Convenient and simple

- Power and signal wires are connected in a daisy chain manner, equipped with built-in IP67 waterproof connectors
- Dedicated address lines for faster and easier DMX addressing, compatible with the handheld address writer (ZXP399)





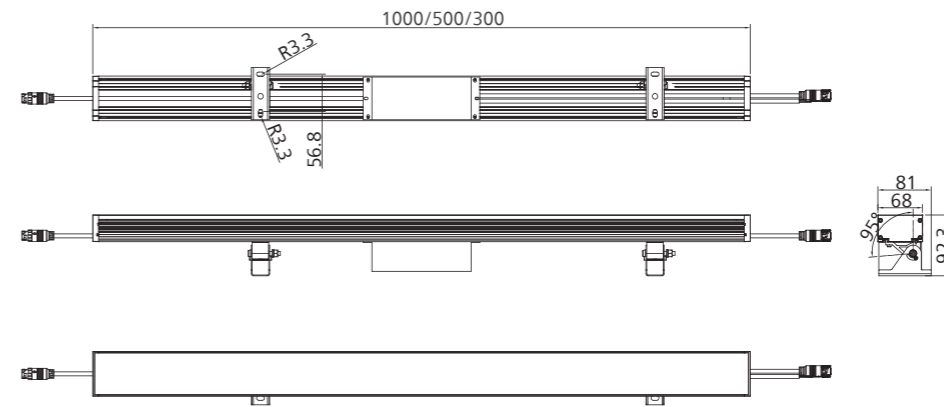
**UniStrip G5 AC**  
(High Voltage Version)

**Specifications**

	Product Series	<b>UniStrip G5 AC (High Voltage Version)(BCP354)</b>					
Optical Parameters	Light Source	High-power LED					
	Lumen Maintenance	50000 hours L70B50 at 35°C					
	Max. LEDs	300mm		500mm		1000mm	
		18LED (Single White)	12LED (RGB/RGBW)	36LED (Single White)	18LED (RGB/RGBW)	72LED (Single White)	36LED (RGB/RGBW)
	Beam Angle	10°/15°/17°/30°/45°/60°/12°x30°/12°x50°/15°x30°/20°x55° (White)					
		10°/15°/25°/30°/40°/45°/60°/12°x30°/12°x45°/12°x50°/15°x55° (RGB/RGBW)					
	Maximum Power	32W		50W		100W	
	Optional Color Temperature	3000K, 4000K					
	Optional Colors	RGB, RGBW					
	CRI	80					
White Light Color Tolerance	SDCM<=4						
Color Wavelength Range	R: 620 to 625nm; G: 525 to 530nm; B: 470 to 475nm						
Luminaire Body Parameters	Housing	Extruded aluminum housing + die-cast aluminum end caps					
	Surface	Electrostatically applied polyester powder coating					
	Housing Color	Dark Grey (RAL7012)					
	Bracket Material	Extruded aluminum					
	Angle Adjustment	+90°and -5°Adjustable angle					
	Lens Material	Aging-resistant and UV-resistant PMMA lens					
	Gasket	Silicone					
	Luminous Surface	Clear tempered glass					
	LxWxH.mm	1000/500/300mmx81mmx92mm (with bracket)					
	Weight	1.1kg		2kg		3.6kg	
		-40°C to 50°C (Operating)					
	Temperature Range	-35°C to 50°C (Startup)					
		-40°C to 70°C (Storage)					
Protection Class	IP66, IK06						
Electrical Parameters	Control	On / Off or DMX512 (supports multi-segment control, e.g., 6 segments / meter)					
	Input Voltage	220V AC					
Others	Certificate	CQC, CB, CE					
	Warranty Period	3 years					
	Accessories / ETO Options	Glare Shield / Steel wire rope					

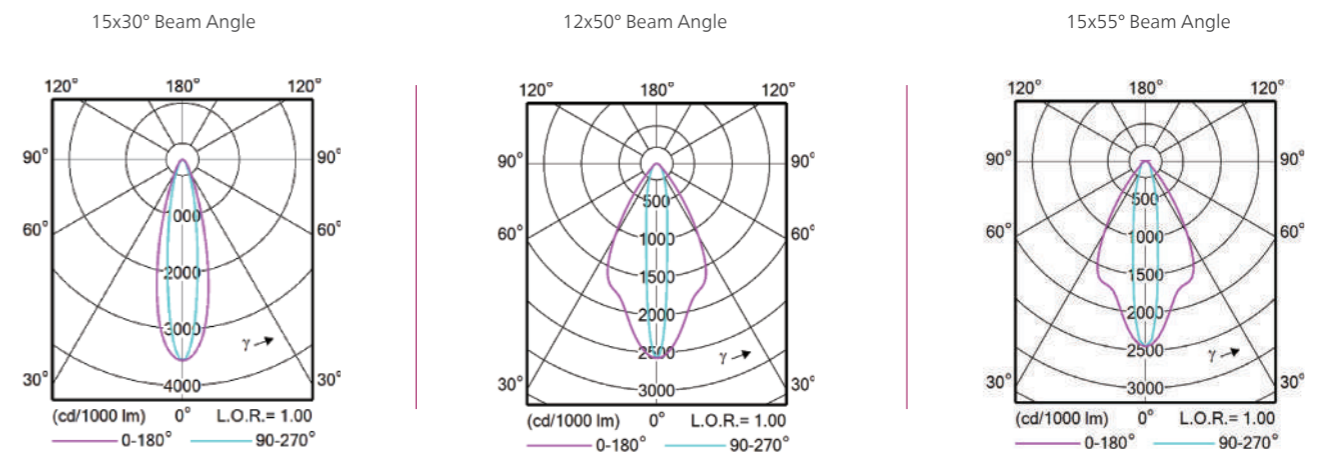
**LxWxH.mm**

**BCP354**



**Light Distribution Curve**

**BCP354**



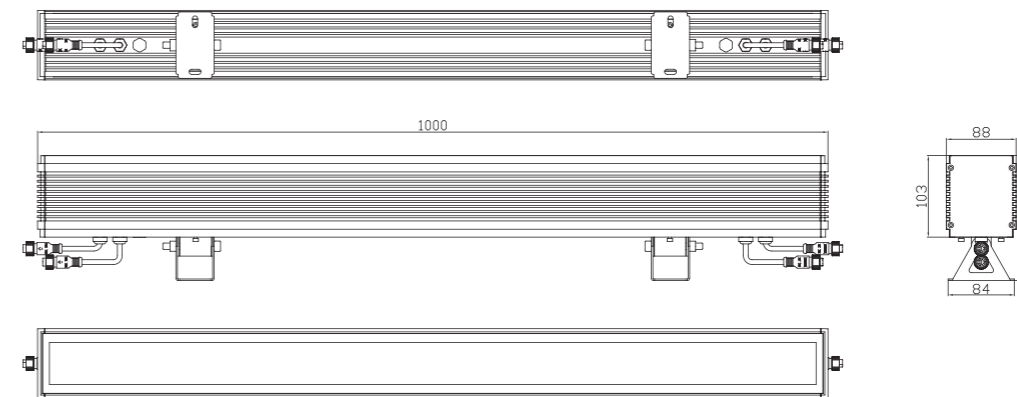


### Specifications

	Product Series	<b>UniStrip G5 AC (High Voltage Version)(BCP385)</b>			
Optical Parameters	Light Source	High-power LED			
	Lumen Maintenance	50000 hours L70B50 at 35°C			
	Max. LEDs	520mm		1000mm	
		6LED(RGBW) & 24LED (Single white/RGB)	30LED (Single white/RGB)	12LED (RGBW) & 48LED (Single white/RGB)	60LED (Single white/RGB)
	Beam Angle	7.5° (White), 7.5x27° (White/RGB), 15x40° (RGBW)			
	Maximum Power	50W	60W	100W	120W
	Optional Color Temperature	3000K, 4000K			
	Optional Colors	RGB, RGBW			
	CRI	80			
	White Light Color Tolerance	SDCM<=4			
Luminaire Body Parameters	Color Wavelength Range	R: 620 to 625nm; G: 525 to 530nm; B: 470 to 475nm			
	Housing	Extruded aluminum housing + die-cast aluminum end caps			
	Surface	Electrostatically applied polyester powder coating			
	Housing Color	Dark Grey (RAL7012)			
	Bracket Material	Stainless steel bracket			
	Angle Adjustment	Adjustable angle ±58°			
	Lens Material	Aging-resistant and UV-resistant PMMA lens			
	Gasket	Silicone			
	Luminous Surface	Clear tempered glass			
	LxWxH.mm	520/1000mmx158mmx88mm(with bracket)			
	Weight	4.5kg		8.5kg	
	Temperature Range	-40°C to 50°C (Operating)			
		-35°C to 50°C (Startup)			
		-40°C to 70°C (Storage)			
Protection Class	IP66, IK06				
Electrical Parameters	Control	On / Off or DMX512 (supports multi-segment control, e.g., 6 segments / meter)			
	Input Voltage	220V AC			
Others	Certificate	CQC, CB, CE			
	Warranty Period	3 years			
	Accessories / ETO Options	Glare Shield / Steel wire rope			

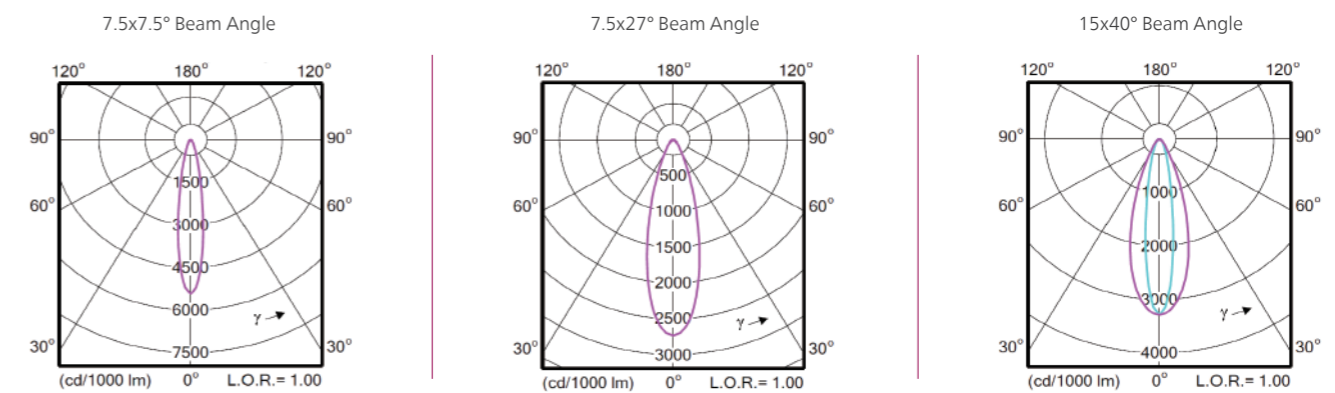
### LxWxH.mm

#### BCP385



### Light Distribution Curve

#### BCP385





# UniStrip G5 Compact Pro



BCP402

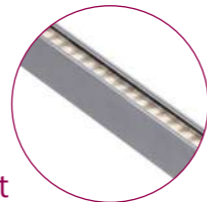
The UniStrip Compact Pro is specifically designed for vertical illumination of building facades, featuring a compact size and meticulously crafted accessories that cater to the increasingly demanding installation requirements of curtain wall systems. Its unique optical design, complemented by an integrated louver ensures exceptional vertical lighting effects while offering optimal glare control. In addition to vertical illumination applications, this luminaire can also be used for wall washing after removing the stretch film and louver. Housing dimensions are 25mm x 33.5mm (width x height), with a maximum power of 36W for white light, making it particularly suitable for projects with high installation node requirements.

## Features



### High quality

- Maximum power for white light reaches up to 36W, while for color RGBW, it is 15W
- Standard options: RGB, RGBW, 3000K and 4000K
- Customization options: monochromatic colors and variable color temperature (TW)



### Optimal effect

- Up to 1 meter with 10-segment control (10 pixels)
- Various symmetric and asymmetric light distribution options
- Special lenses and custom light distribution ensure a more uniform and consistent illumination effect



### Stable and reliable

- Standard three shell lengths: 300mm, 500mm, and 1000mm
- Rugged mechanical design & IP66 waterproof rating
- Adjustable angle  $\pm 95^\circ$



### Convenient and simple

- Standard DMX512 control mode

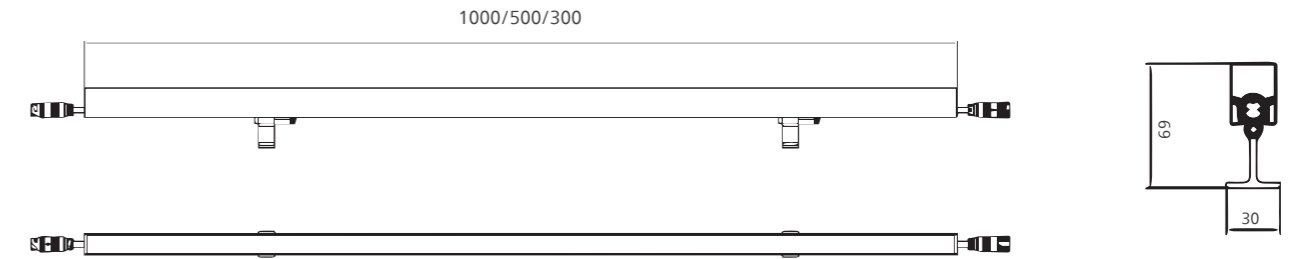




UniStrip G5 Compact Pro

LxWxH.mm

BCP402

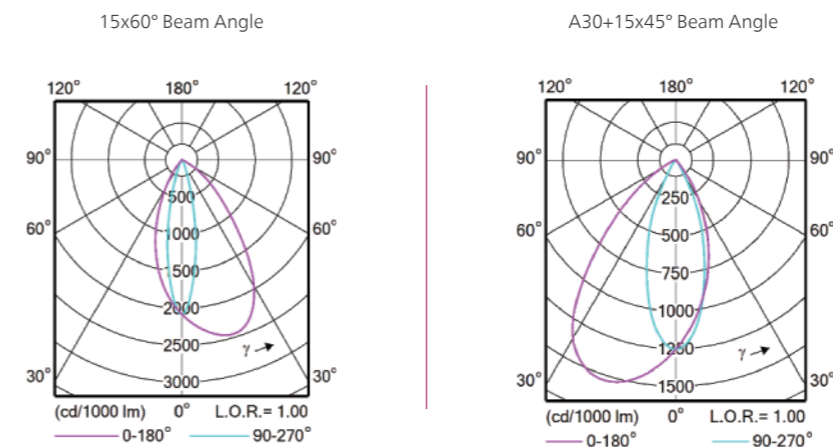


Specifications

	Product Series	UniStrip G5 Compact Pro (BCP402)								
Optical Parameters	Light Source	Low-power LED								
	Lumen Maintenance	50000 hours L70B50 at 35°C								
	Max. LEDs	300mm			500mm			1000mm		
		18LED (Single White)	12LED (RGB)	12LED (RGBW)	30LED (Single White)	24LED (RGB)	30LED (RGBW)	60LED (Single White)	48LED (RGB)	60LED (RGBW)
	Beam Angle	A30+15x45°(Single White)/15x60° (Single white,RGB, RGBW)								
	Maximum Power	10W	3W	3.6W	18W	6W	7.5W	36W	12W	15W
	Optional Color Temperature	3000K, 4000K								
	Optional Colors	RGB, RGBW								
	CRI	80								
	White Light Color Tolerance	SDCM<=4								
Color Wavelength Range	R: 620 to 625nm; G: 525 to 530nm; B: 470 to 475nm									
Luminaire Body Parameters	Housing	Extruded aluminum housing + die-cast aluminum end caps								
	Surface	Electrostatically applied polyester powder coating								
	Housing Color	Dark Grey (RAL7012)								
	Bracket Material	Extruded aluminum								
	Angle Adjustment	Adjustable angle±95°								
	Lens Material	Aging-resistant and UV-resistant PMMA lens								
	Gasket	Silicone								
	Luminous Surface	Clear tempered glass								
	LxWxH.mm	300/500/1000mmx30mmx69mm (with bracket) 300/500/1000mmx25mmx33.5mm (without bracket)								
	Weight	0.3kg			0.5kg			0.9kg		
Temperature Range	-40°C to 50°C (Operating)									
	-35°C to 50°C (Startup)									
	-40°C to 70°C (Storage)									
Protection Class	IP66, IK06									
Electrical Parameters	Control	On / Off or DMX512 (supports multi-segment control, up to 10 segments / meter)								
	Input Voltage	24V DC								
Others	Certificate	CQC, CB, CE								
	Warranty Period	3 years								
	Accessories / ETO Options	Glare Shield / Steel wire rope								

Light Distribution Curve

BCP402



# UniEdge



BCP390

The UniEdge BCP390 is a meticulously designed compact and versatile wall washer light, ideal for border washing applications on various doors, windows, and edges.

## Features



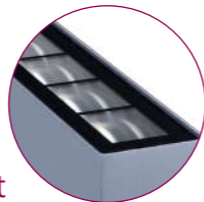
### High quality

- Compact and sleek design with a flat, self-cleaning glass surface
- Maximum luminous flux output: 165lm (4000K)
- Lumen Maintenance - white: 50,000 hours L70 at 35°C; color: 50,000 hours L50 at 35°C



### Stable and reliable

- Die-cast aluminum housing with tempered glass lens for light emission
- Adjustable bracket from -5° to +85°



### Optimal effect

- Unique tri-directional blade PMMA lens design



### Convenient and simple

- Power and signal wires are connected in a daisy chain manner, equipped with built-in IP67 waterproof connectors
- Dedicated address lines for faster and easier DMX addressing, compatible with the handheld address writer (ZXP399)





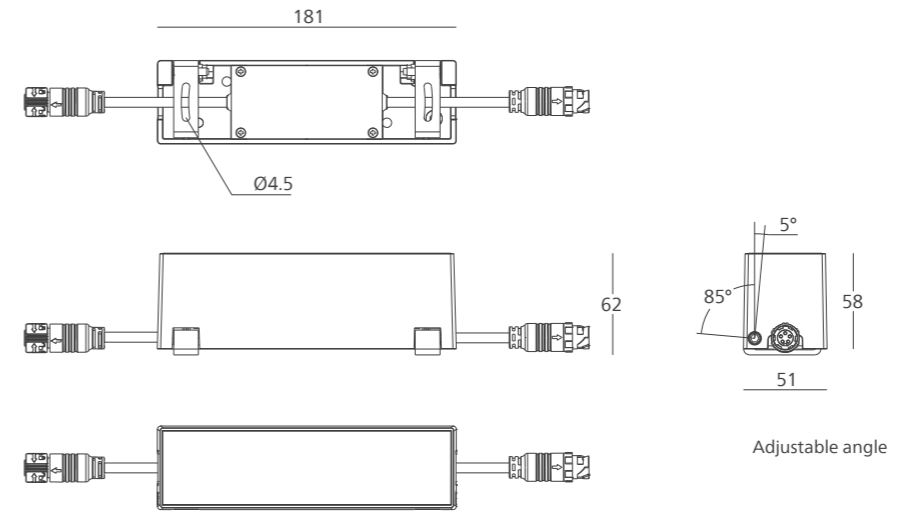
UniEdge

### Specifications

	Product Series	UniEdge (BCP390)	
Optical Parameters	Light Source	High-power LED	
	Lumen Maintenance	50000 hours L70B50 at 35°C	
	Max. LEDs	4LED (Single white & RGBW)	3LED (RGB)
	Beam Angle	3x90°	
	Maximum Power	10W	7W
	Optional Color Temperature	3000K, 4000K	
	Optional Colors	RGB, RGBW	
	CRI	80	
	White Light Color Tolerance	SDCM<=4	
	Color Wavelength Range	R: 620 to 625nm; G: 525 to 530nm; B: 470 to 475nm	
Luminaire Body Parameters	Housing	Die-cast aluminum	
	Surface	Electrostatically applied polyester powder coating	
	Housing Color	Dark Grey (RAL7012)	
	Bracket Material	Extruded aluminum	
	Angle Adjustment	Adjustable bracket from -5° to +85°	
	Lens Material	Aging-resistant and UV-resistant PMMA lens	
	Gasket	Silicone	
	Luminous Surface	Clear tempered glass	
	LxWxH.mm	181mmx62mmx51mm (with bracket)	
	Weight	0.85kg	
Electrical Parameters	Temperature Range	-40°C to 50°C (Operating) -35°C to 50°C (Startup) -40°C to 70°C (Storage)	
	Protection Class	IP66, IK06	
	Control	On / Off or DMX (custom RDM)	
Others	Input Voltage	24V DC	
	Certificate	CQC, CB, CE	
	Warranty Period	3 years	
	Accessories / ETO Options	/	

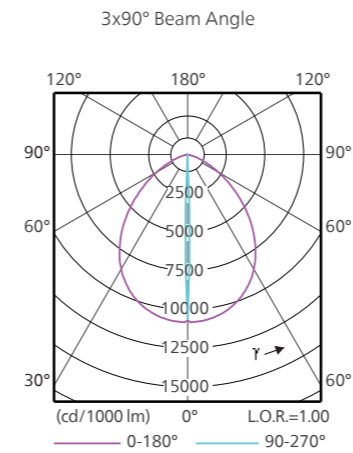
### LxWxH.mm

BVP390



### Light Distribution Curve

BCP390





## UniDot G3



BGS400



BGS401

Luminous Surface Options	CFC / OSC / DSC	CFC / OSC / DSC
Luminous Flux (max.lm@4000K)	230	425
Color Temperature	3000K/4000K/RGB/RGBWW/RGBNW	3000K/4000K/RGB/RGBWW/RGBNW
Power (W)	3	6
LEDs	12	30
LxWxH.mm	78.5x23.8/44.5/44.1x 69.4	97.6x30.6/58.1/58.5x 87.6
Input Voltage	24V DC	24V DC
IP	IP66	IP66
IK Rating	IK06	IK06
Protection class IEC	Class III	Class III
Control Method	ON-OFF/DMX	ON-OFF/DMX
Weight (kg)	0.13	0.25
Optional Accessories	/	/
Working Temperature	-40°C to 50°C (Operating Temperature)	-40°C to 50°C (Operating Temperature)

## UniDot G3



BGS402

Beam Angle (°)	CFC / OSC / DSC
Luminous Flux (max.lm@4000K)	675
Color Temperature	3000K/4000K/RGB/RGBWW/RGBNW
Power (W)	9
LEDs	6/10/12
LxWxH.mm	114.4x32/64.3/63.2x104.4
Input Voltage	24V DC
IP	IP66
IK Rating	IK06
Protection class IEC	Class III
Control Method	ON-OFF/DMX
Weight (kg)	0.31
Optional Accessories	/
Working Temperature	-40°C to 50°C (Operating Temperature)



## UniString Compact



BWS401



BWS402

Luminous Surface Options	CFC / OSC / DSC	CFC / OSC / DSC
Luminous Flux (max.lm@4000K)	160	195
Color Temperature	3000K/4000K/RGB/RGBWW/RGBNW	3000K/4000K/RGB/RGBWW/RGBNW
Power (W)	1.5/2	3
LEDs	4/6	8/12/10
LxWxH.mm	45x38 x15 (CFC) 45x38x27.2 (DSC & OSC)	55x47x16 (CFC) 55x47x32.8 (DSC & OSC)
Input Voltage	24V DC	24V DC
IP	IP66	IP66
IK Rating	IK06	IK06
Protection class IEC	Class III	Class III
Control Method	ON-OFF/DMX512	ON-OFF/DMX512
Weight (kg)	0.03 / single node	0.03 / single node
Optional Accessories	Installation profile	Installation profile
Working Temperature	-40°C to 50°C (Operating Temperature)	-40°C to 50°C (Operating Temperature)

## UniString



BWS300

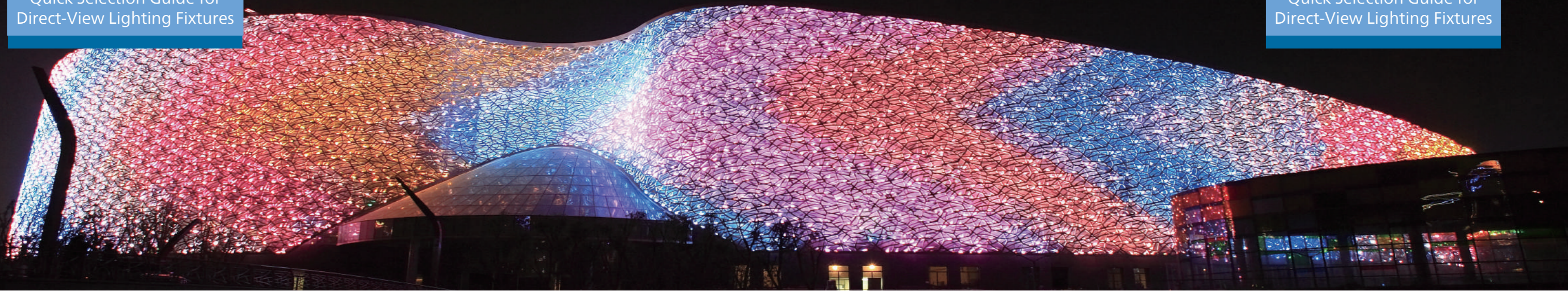


BWS301



BWS302

Beam Angle (°)	110	110/85x110	110/85x110
Luminous Flux (max.lm@4000K)	53	49/81/82	140/123
Color Temperature	3000K/4000K/RGB/RGBWW/RGBNW	3000K/4000K/RGB/RGBWW/RGBNW	3000K/4000K/RGB/RGBWW/RGBNW
Power (W)	0.9/1.1	0.9/1.5	2
LEDs	4	3/6	8/9
LxWxH.mm	43.1x 5.3x34	57x15.5x40	60.1x15.5x48
Input Voltage	15V DC	24V DC	24V DC
IP	IP66	IP66	IP66
IK Rating	IK06	IK06	IK06
Protection class IEC	Class III	Class III	Class III
Control Method	ON-OFF/DMX512	ON-OFF/DMX512	ON-OFF/DMX512
Weight (kg)	0.035 / single node	0.045 / single node	0.055 / single node
Optional Accessories	Installation profile	Installation profile	Installation profile
Working Temperature	-40°C to 50°C (Operating Temperature)	-40°C to 50°C (Operating Temperature)	-40°C to 50°C (Operating Temperature)



## UniBar Compact



BCS440



BCS441

Beam Angle (°)	120° (Acrylic luminous surface)	120° (Acrylic luminous surface)
Luminous Flux (max.lm@4000K)	765	360
Color Temperature	3000K/4000K/RGB/RGBWW/RGBNW	3000K/4000K/RGB/RGBWW/RGBNW
Power (W)	5/7.5/15	3/6/12
LEDs	White & RGB: 24/36/72 RGBW &tW: 48/72/144	White & RGB: 12/24/48 RGBW &tW: 24/48/96
LxWxH.mm	300/500/1000x22.45x50 (with Clip-in bracket)	300/500/1000x26.9x52.2 (with bracket)
Input Voltage	24V DC	24V DC
IP	IP66	IP66
IK Rating	IK06	IK06
Protection class IEC	Class III	Class III
Control Method	ON-OFF/DMX	ON-OFF/DMX
Weight (kg)	0.24/0.4/0.8	0.4/0.65/1.3
Optional Accessories	Safety rope	Safety rope
Working Temperature	-40°C to 50°C (Operating Temperature)	-40°C to 50°C (Operating Temperature)

## UniBar



BCS340



BCS341



BCS342

Beam Angle (°)	115x145/ 115x135 /120x145	115x145/ 115x135 /120x145	115x145/ 115x135 /120x145
Luminous Flux (max.lm@4000K)	155/305/600	215/390/770	510/815/1630
Color Temperature	3000K/4000K/RGB/RGBWW/RGBNW	3000K/4000K/RGB/RGBWW/RGBNW	3000K/4000K/RGB/RGBWW/RGBNW
Power (W)	3/6/12	4/7.5/15	7.5/12/24
LEDs	12/24/48/96	18/36/30/60/120	36/60/120
LxWxH.mm	300/500/1000x28x65 (with Clip-in bracket)	300/500/1000x35.5x65 (with Clip-in bracket)	300/500/1000x57.2x60 (with bracket)
Input Voltage	24V DC	24V DC	24V DC
IP	IP66	IP66	IP66
IK Rating	IK08	IK08	IK08
Protection class IEC	Class III	Class III	Class III
Control Method	ON-OFF/DMX512	ON-OFF/DMX512	ON-OFF/DMX512
Weight (kg)	0.4/ 0.5/0.8	0.45/ 0.55/0.9	0.39kg /0.65/1.3
Optional Accessories	Safety rope	Safety rope	Safety rope
Working Temperature	-40°C to 50°C (Operating Temperature)	-40°C to 50°C (Operating Temperature)	-40°C to 50°C (Operating Temperature)

## UniDot G3



BGS400

BGS401

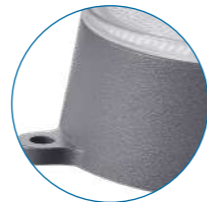
BGS402

UniDot G3 is widely applicable for decorative use in various landscapes and on the exteriors of outdoor buildings. Featuring a die-cast aluminum housing and a range of PC lens options, it offers choices of white light, monochromatic colors, RGB / RGBW, and tunable white, thereby providing a broader scope of applications and a more diverse visual experience.

## Features

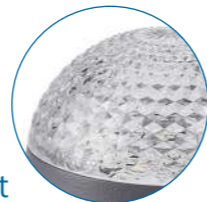


### High quality



- Die-cast aluminum housing & IP66 rating, designed specifically for outdoor applications
- Sleek design, compact and space-saving

### Optimal effect



- Utilize low-power LEDs to create a gentle light output effect
- CFC / OSC / DSC available
- Standard: RGBW, RGB, 3000K, 4000K, tW (tunable white)
- Optional color temperatures: 2700K, 5000K, 6500K, and monochromatic colors







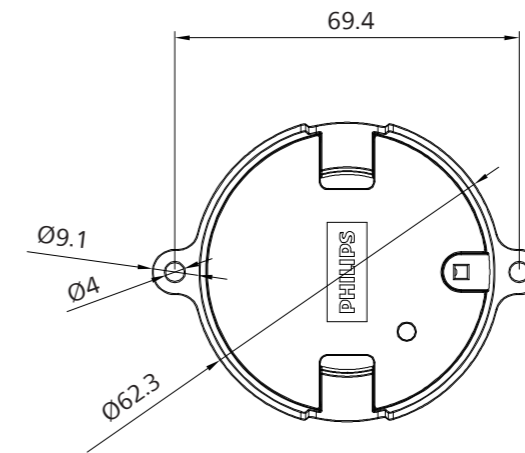
UniDot G3 Small

### Specifications

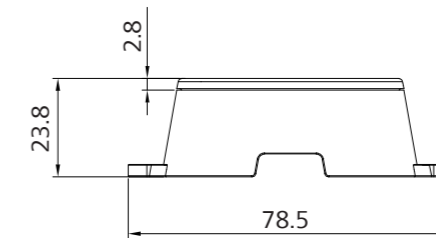
	Product Series	UniDot G3 Small (BGS400)
Optical Parameters	Light Source	Low-power LEDs
	Lumen Maintenance	50000 hours L70B50 at 35°C
	Max. LEDs	12LED
	Luminous Surface	CFC; OSC; DSC
	Maximum Power	3W
	Standard Color Temperature	3000K, 4000K
	Optional Colors	RGB, RGBNW, RGBWW
	CRI	80
	White Light Color Tolerance	SDCM<=4
	Color Wavelength Range	R: 620 to 625nm; G: 525 to 530nm; B: 470 to 475nm
Luminaire Body Parameters	Housing	Die-cast aluminum
	Surface	Electrostatic Powder Coating, Surface Weathering and Corrosion Resistance Treatment
	Housing Color	Dark Grey (RAL7012)
	Gasket	Silicone
	Luminous Surface	UV-resistant and anti-aging PC luminous surface
	LxWxH.mm	78.5mmx23.8mmx69.4mm (CFC) 78.5mmx44.5mmx69.4mm (DSC) 78.5mmx44.1mmx69.4mm(OSC)
	Weight	0.13 kg
Temperature Range		-40°C to 50°C (Operating Temperature) -35°C to 50°C (Startup Temperature) -40°C to 70°C (Storage Temperature)
	Protection Class	IP66, IK06
	Control	On / Off or DMX512
Electrical Parameters	Input Voltage	24V DC
	Certificate	CE, CB, CQC
Others	Warranty Period	3 years
	Accessories / ETO Options	/

### LxWxH.mm

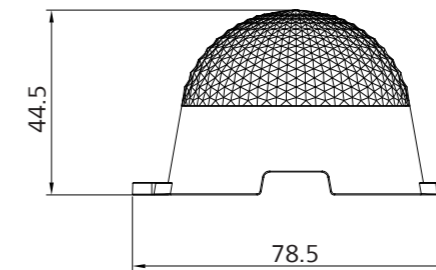
BGS400



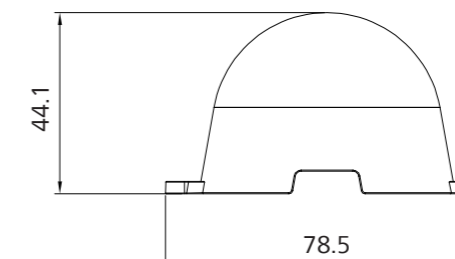
CFC



DSC



OSC





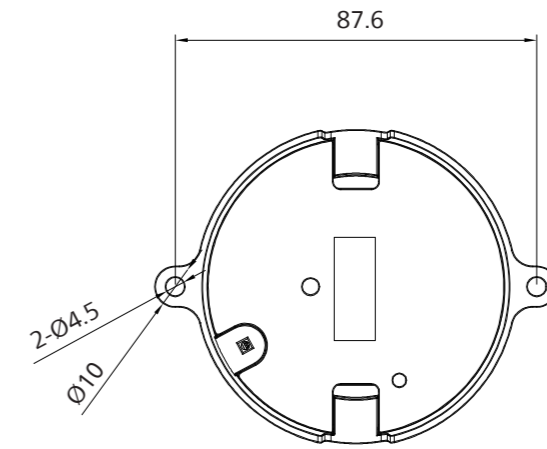
UniDot G3  
Median

### Specifications

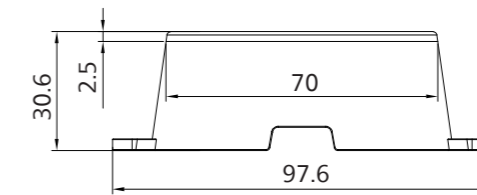
	Product Series	UniDot G3 Median (BGS401)
Optical Parameters	Light Source	Low-power LEDs
	Lumen Maintenance	50000 hours L70B50 at 35°C
	Max. LEDs	30LED
	Luminous Surface	CFC; OSC; DSC
	Maximum Power	6W
	Standard Color Temperature	3000K, 4000K
	Optional Colors	RGB, RGBNW, RGBWW
	CRI	80
	White Light Color Tolerance	SDCM<=4
Color Wavelength Range	R: 620 to 625nm; G: 525 to 530nm; B: 470 to 475nm	
Luminaire Body Parameters	Housing	Die-cast aluminum
	Surface	Electrostatic Powder Coating, Surface Weathering and Corrosion Resistance Treatment
	Housing Color	Dark Grey (RAL7012)
	Gasket	Silicone
	Luminous Surface	UV-resistant and anti-aging PC luminous surface
	LxWxH.mm	97.6mmx30.6mmx87.6mm (CFC) 97.6mmx58.1mmx87.6mm (DSC) 97.6mmx58.5mmx87.6mm(OSC)
	Weight	0.25 kg
Temperature Range		-40°C to 50°C (Operating Temperature) -35°C to 50°C (Startup Temperature) -40°C to 70°C (Storage Temperature)
	Protection Class	IP66, IK06
	Control	On / Off or DMX512
Electrical Parameters	Input Voltage	24V DC
	Certificate	CE, CB, CQC
Others	Warranty Period	3 years
	Accessories / ETO Options	/

### LxWxH.mm

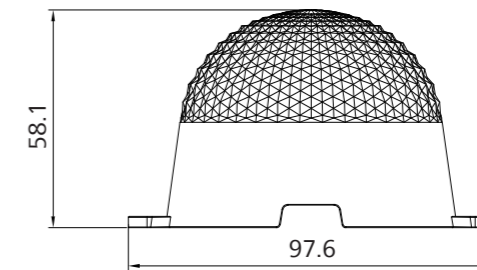
BGS401



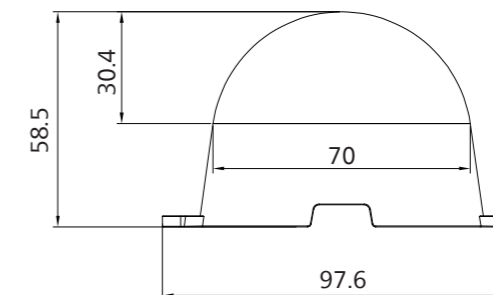
CFC

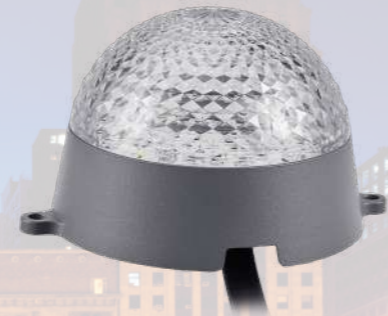


DSC



OSC





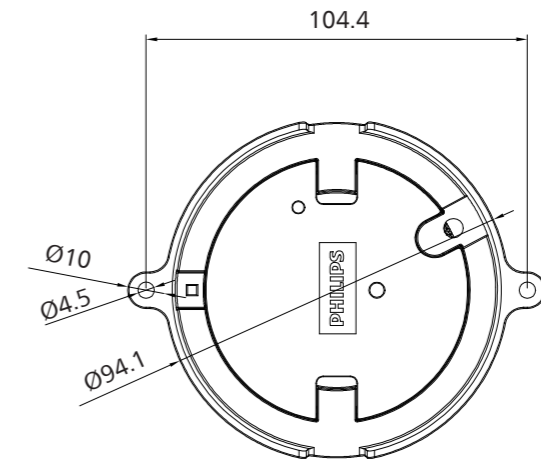
UniDot G3 Large

### Specifications

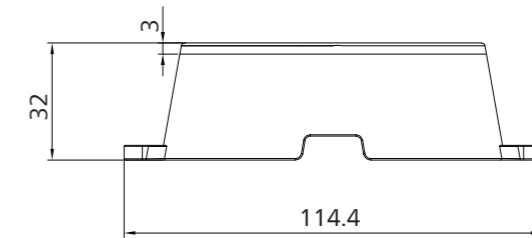
	Product Series	UniDot G3 Large (BGS402)
Optical Parameters	Light Source	Low-power LEDs
	Lumen Maintenance	50000 hours L70B50 at 35°C
	Max. LEDs	6LED; 10LED; 12LED
	Luminous Surface	CFC; OSC; DSC
	Maximum Power	9W
	Standard Color Temperature	3000K, 4000K
	Optional Colors	RGB/RGBNW/RGBWW
	CRI	80
	White Light Color Tolerance	SDCM<=4
Color Wavelength Range	R: 620 to 625nm; G: 525 to 530nm; B: 470 to 475nm	
Luminaire Body Parameters	Housing	Die-cast aluminum
	Surface	Electrostatic Powder Coating, Surface Weathering and Corrosion Resistance Treatment
	Housing Color	Dark Grey (RAL7012)
	Gasket	Silicone
	Luminous Surface	UV-resistant and anti-aging PC luminous surface
	LxWxH.mm	114.4mmx32mmx104.4mm (CFC) 114.4mmx 64.3mmx104.4mm (DSC) 114.4mmx 63.2mmx104.4mm (OSC)
	Weight	0.31kg
Temperature Range		-40°C to 50°C (Operating Temperature) -35°C to 50°C (Startup Temperature) -40°C to 70°C (Storage Temperature)
	Protection Class	IP66, IK06
	Control	On / Off or DMX512
Electrical Parameters	Input Voltage	24V DC
	Certificate	CE, CB, CQC
Others	Warranty Period	3 years
	Accessories / ETO Options	/

### LxWxH.mm

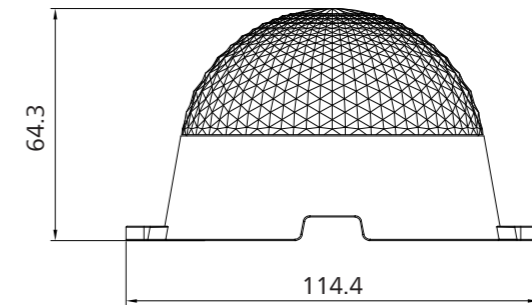
BGS402



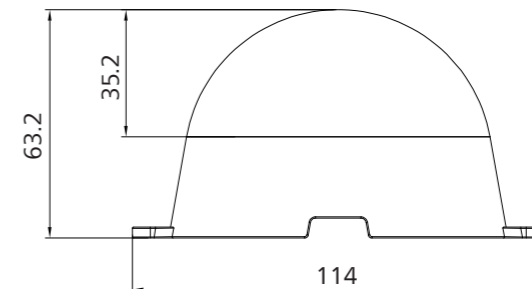
CFC



DSC



OSC



# UniString Compact



BWS300



BWS301

UniString Compact is a surface-mounted, compact-sized LED direct view lighting string designed specifically for outdoor applications. The product's robust housing design, easy installation, and multiple luminous surface options make it widely applicable to direct view applications such as media screens.

It can offer a variety of color temperatures and hues including white light, monochromatic colors, RGB / RGBW, and tunable white (tW), along with both symmetrical and asymmetrical light distribution options, plus flexible installation and connectivity methods, empowering architectural and lighting designers to explore and realize endless design concepts.

## Features



### High quality

- Maximum power up to 3W
- Lumen Maintenance - white: 50,000 hours L70 at 35°C; Color: 50,000 hours L50 at 35°C



### Optimal effect

- Three standard luminous surfaces: CFC, DSC, OSC
- Symmetric and asymmetric light distribution
- Standard: RGBW, RGB, 3000K, 4000K, tunable white (tW) color temperature
- Multiple customization options: luminous surface, string length, pixel pitch, and pixel count



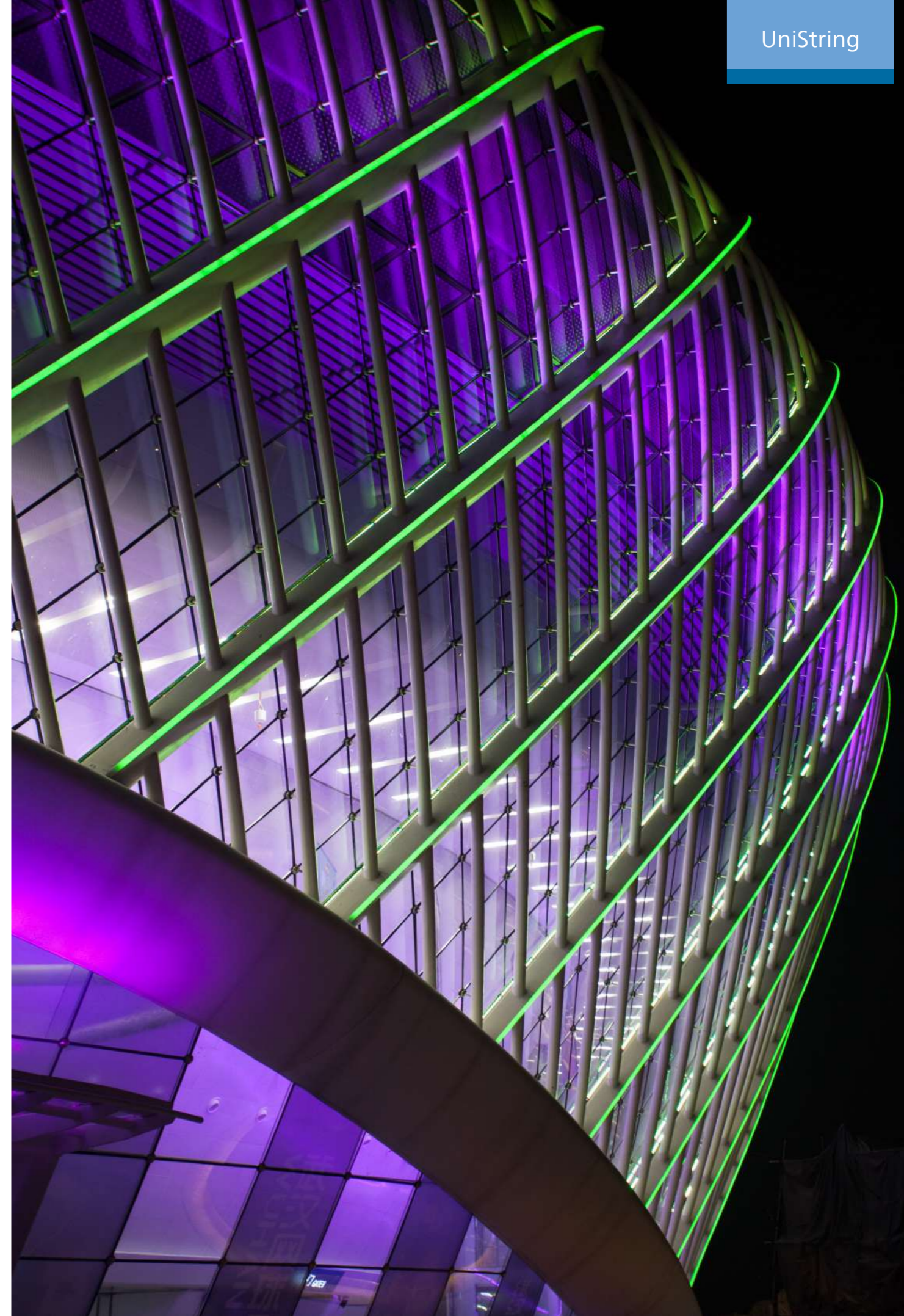
### Stable and reliable

- Robust housing design and IP66 rating, specifically designed for outdoor applications
- Clip-in wire rope installation or profile track mounting



### Convenient and simple

- Dedicated address lines for faster and easier DMX addressing, compatible with the handheld address writer (ZXP399)





UniString Compact

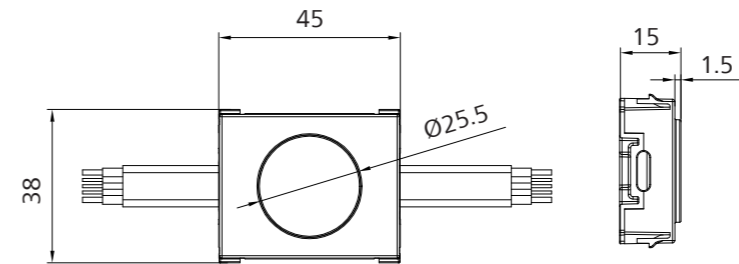
### Specifications

	Product Series	UniString Compact (BWS401)		
Optical Parameters	Light Source	Low-power LED		
	Lumen Maintenance	50000 hours L70B50 at 35°C		
	Max. LEDs	4LED	6LED	
	Luminous Surface	CFC, DSC, OSC		
	Maximum Power	2W	1.5W	2W
	Optional Color Temperature/Colors	tW, 4000K	RGB	RGBW(4000K)
	CRI	80		
	White Light Color Tolerance	SDCM<=4		
	Color Wavelength Range	R: 620 to 625nm; G: 525 to 530nm; B: 470 to 475nm		
	Housing	PC housing		
Housing Color	Black RAL9011			
Lens/Luminous Surface	UV-resistant and aging-resistant PC lens and luminous surface			
Installation	Clip-in wire rope installation or profile track mounting			
Luminaire Body Parameters	LxWxH.mm	Single dimension: 45 mm x 38 mm x 15 mm (CFC) 45 mm x 38 mm x 27.2 mm (DSC & OSC)		
	Weight	single: 0.03Kg / String: 0.5kg (for 2m length)		
	Temperature Range	-40°C to 50°C (Operating Temperature) -35°C to 50°C (Startup Temperature) -40°C to 70°C (Storage Temperature)		
	Protection Class	IP66, IK06		
Electrical Parameters	Control	On / Off or DMX512		
	Input Voltage	24V DC		
Others	Certificate	CE, CB, CQC		
	Warranty Period	3 years		
	Accessories / ETO Options	Custom pixel count, custom pixel pitch (minimum 100mm), custom string length.		

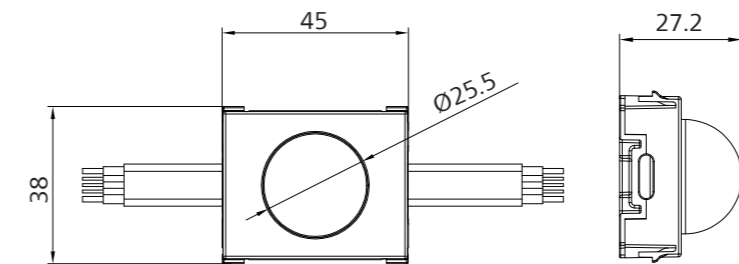
### LxWxH.mm

#### BWS401

CFC

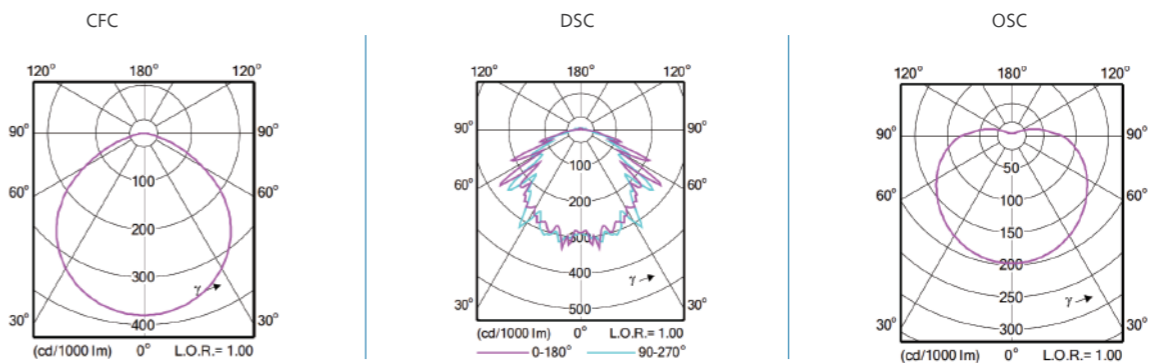


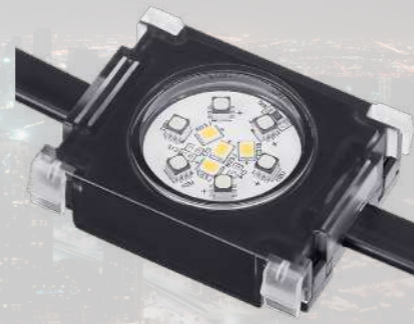
DSC & OSC



### Light Distribution Curve

#### BWS401





UniString Compact

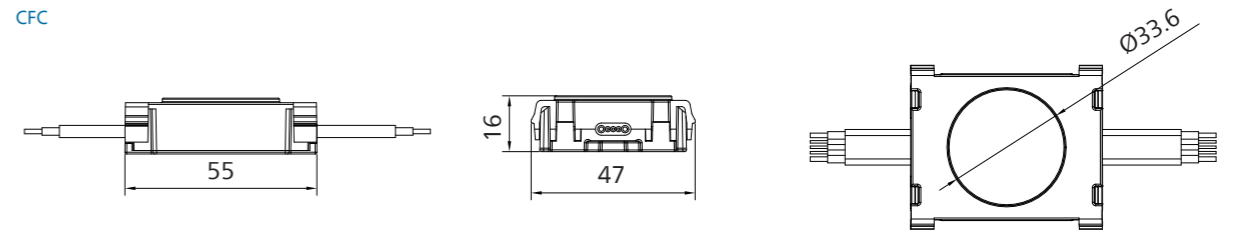
### Specifications

	Product Series	UniString Compact (BWS402)		
Optical Parameters	Light Source	Low-power LED		
	Lumen Maintenance	50000 hours L70B50 at 35°C		
	Max. LEDs	8LED	12LED	10LED
	Luminous Surface	CFC, DSC, OSC		
	Maximum Power	3W		
	Optional Color Temperature/Color	tW, 4000K	RGB	RGBW(4000K)
	CRI	80		
	White Light Color Tolerance	SDCM<=4		
	Color Wavelength Range	R: 620 to 625nm; G: 525 to 530nm; B: 470 to 475nm		
	Housing	PC housing		
Housing Color	Black RAL9011			
Lens/Luminous Surface	Anti-aging UV-resistant PC lens and luminous surface			
Installation	Clip-in wire rope installation or profile track mounting			
Luminaire Body Parameters	LxWxH.mm	Single dimension: 55 mm x 47 mm x 16 mm (CFC) 55 mm x 47 mm x 32.8 mm (DSC & OSC)		
	Weight	single: 0.03Kg / String: 0.5kg (for 2m length)		
	Temperature Range	-40°C to 50°C (Operating Temperature) -35°C to 50°C (Startup Temperature) -40°C to 70°C (Storage Temperature)		
	Protection Class	IP66, IK06		
Electrical Parameters	Control	On / Off or DMX512		
	Input Voltage	24V DC		
Others	Certificate	CE, CB, CQC		
	Warranty Period	3 years		
	Accessories / ETO Options	Custom pixel count, custom pixel pitch (minimum 100mm), custom string length.		

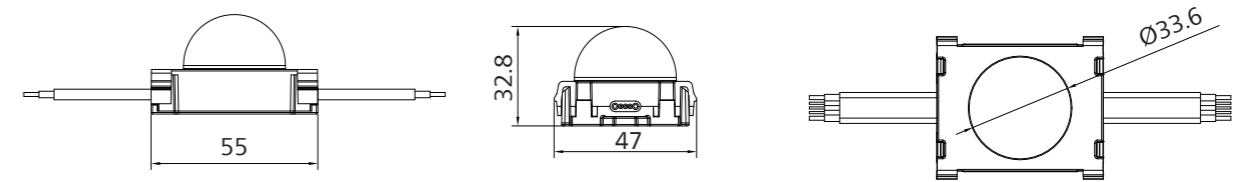
### LxWxH.mm

#### BWS402

CFC

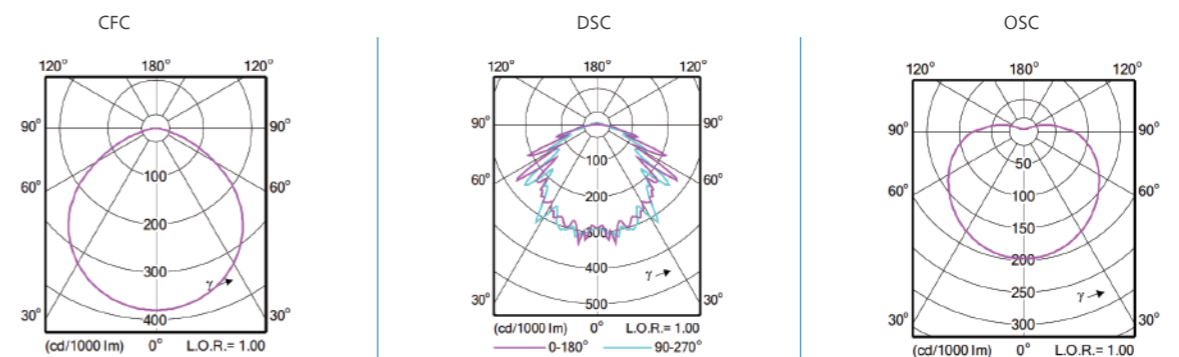


DSC & OSC



### Light Distribution Curve

#### BWS402



# UniString



BWS300



BWS301

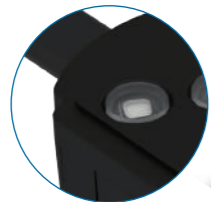


BWS302

UniString is widely applicable to media screens and various direct view applications, offering symmetric and asymmetric light distributions as well as flexible installation and connection methods.

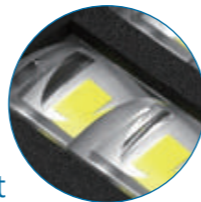
## Features

### High quality



- Maximum power can be custom up to 2.5W
- Lumen Maintenance - white: 50,000 hours L70 at 35°C; Color: 50,000 hours L50 at 35°C

### Optimal effect



- Standard symmetric and asymmetric PC lenses; Asymmetric lens types offer more precise cutoff angles, effectively controlling glare and light pollution

### Stable and reliable



- Three installation methods are available: track mounting, lamp surface Clip-in installation, and stainless steel rope wiring installation

### Convenient and simple



- Power and signal wires are connected in a daisy chain manner, equipped with built-in IP67 waterproof connectors
- Dedicated address lines for faster and easier DMX addressing, compatible with the handheld address writer (ZXP399)



UniString Small

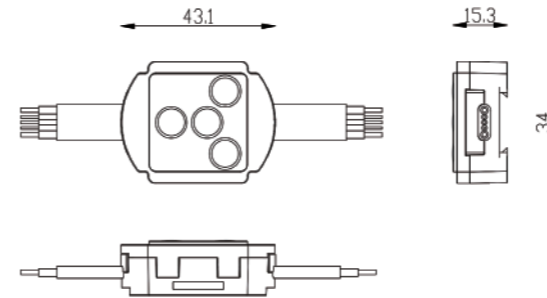
### Specifications

	Product Series	UniString Small (BWS300)	
Optical Parameters	Light Source	Low-power LED	
	Lumen Maintenance	50000 hours L70B50 at 35°C	
	Max. LEDs	4LED	
	Beam Angle	110°	
	Maximum Power	0.9W (Single white & RGB), 1.1W (RGBW)	
	Optional Color Temperature	3000K, 4000K	
	Optional Colors	RGB, RGBW	
	CRI	80	
	White Light Color Tolerance	SDCM<=4	
	Color Wavelength Range	R: 620 to 625nm; G: 525 to 530nm; B: 470 to 475nm	
Luminaire Body Parameters	Housing	PC housing	
	Housing Color	Black (RAL9011)	
	Lens/Luminous Surface	UV-resistant and aging-resistant PC lens and luminous surface	
	LxWxH.mm	43.1mmx15.3mmx34mm	
	Weight	0.035kg/ single node	
	Temperature Range		-40°C to 50°C (Operating)
			-35°C to 50°C (Startup)
		-40°C to 70°C (Storage)	
Protection Class		IP66, IK06	
Electrical Parameters	Control	On / Off or DMX512	
	Input Voltage	15V DC	
Others	Certificate	CQC, CB, CE	
	Warranty Period	3 years	
	Accessories / ETO Options	Custom pixel count, custom pixel pitch, and custom string length	

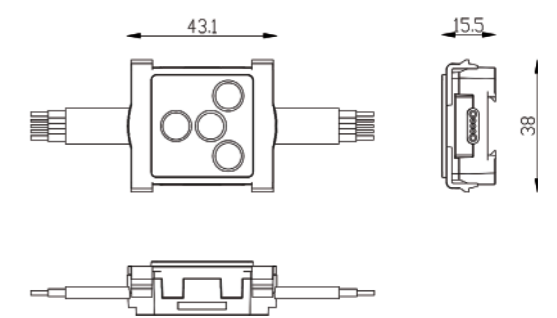
### LxWxH.mm

#### BWS300

Individual installation

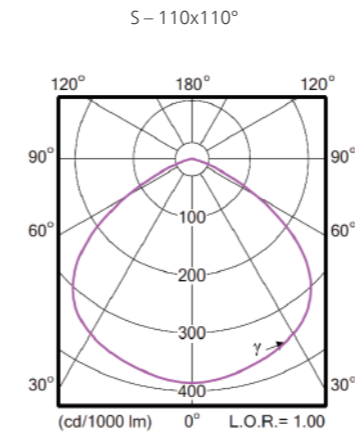


Track mounting



### Light Distribution Curve

#### BWS300





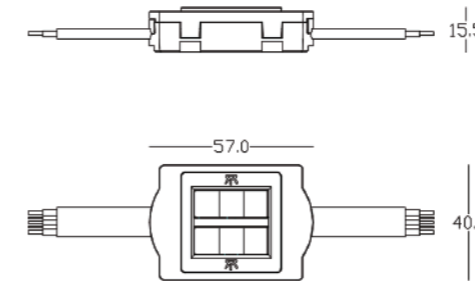


UniString Medium

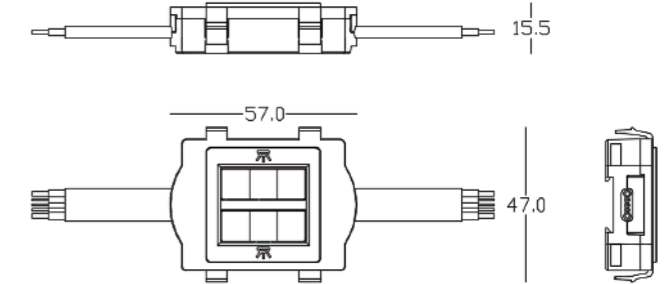
LxWxH.mm

BWS301

Individual installation



Track mounting

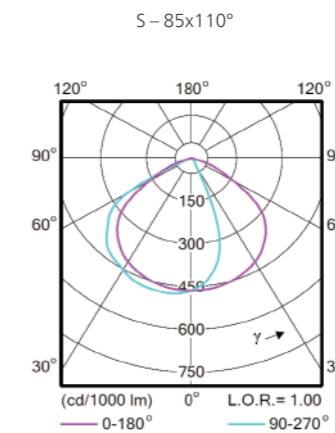
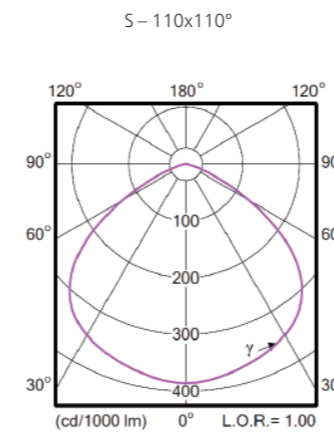


Specifications

	Product Series	UniString Medium (BWS301)	
Optical Parameters	Light Source	Low-power LED	
	Lumen Maintenance	50000 hours L70B50 at 35°C	
	Max. LEDs	3LED	6LED
	Beam Angle	85x110°	110°,85x110°
	Maximum Power	0.9W	1.5W
	Optional Color Temperature	3000K, 4000K	
	Optional Colors	RGB, RGBW	
	CRI	80	
	White Light Color Tolerance	SDCM<=4	
	Color Wavelength Range	R: 620 to 625nm; G: 525 to 530nm; B: 470 to 475nm	
Luminaire Body Parameters	Housing	PC housing	
	Housing Color	Black (RAL9011)	
	Lens / Luminous Surface	UV-resistant and aging-resistant PC lens and luminous surface	
	LxWxH.mm	57mmx15.5mmx40mm	
	Weight	0.045kg/ single node	
Electrical Parameters	Temperature Range	-40°C to 50°C (Operating) -35°C to 50°C (Startup) -40°C to 70°C (Storage)	
	Protection Class	IP66, IK06	
	Control	On / Off or DMX512	
Others	Input Voltage	24V DC	
	Certificate	CQC, CB, CE	
	Warranty Period	3 years	
	Accessories / ETO Options	Custom pixel count, custom pixel pitch, and custom string length	

Light Distribution Curve

BWS301





UniString Large

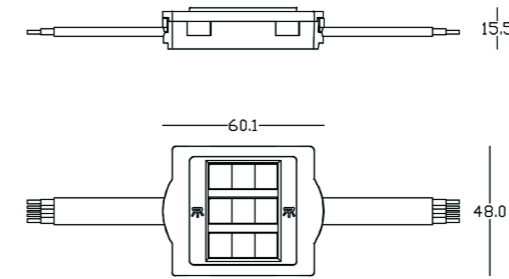
### Specifications

	Product Series	UniString Large (BWS302)
Optical Parameters	Light Source	Low-power LED
	Lumen Maintenance	50000 hours L70B50 at 35°C
	Max. LEDs	8LED (Single white), 9LED (RGB/RGBW)
	Beam Angle	110°, 85x110°
	Maximum Power	2W
	Optional Color Temperature	3000K, 4000K
	Optional Colors	RGB, RGBW
	CRI	80
	White Light Color Tolerance	SDCM<=4
	Color Wavelength Range	R: 620 to 625nm; G: 525 to 530nm; B: 470 to 475nm
Luminaire Body Parameters	Housing	PC housing
	Housing Color	Black (RAL9011)
	Lens/Luminous Surface	UV-resistant and aging-resistant PC lens and luminous surface
	LxWxH.mm	60.1mmx15.5mmx48mm
	Weight	0.055kg/ single node
	Temperature Range	-40°C to 50°C (Operating) -35°C to 50°C (Startup) -40°C to 70°C (Storage)
Electrical Parameters	Protection Class	IP66, IK06
	Control	On / Off or DMX512
	Input Voltage	24V DC
Others	Certificate	CQC, CB, CE
	Warranty Period	3 years
	Accessories / ETO Options	Custom pixel count, custom pixel pitch, and custom string length

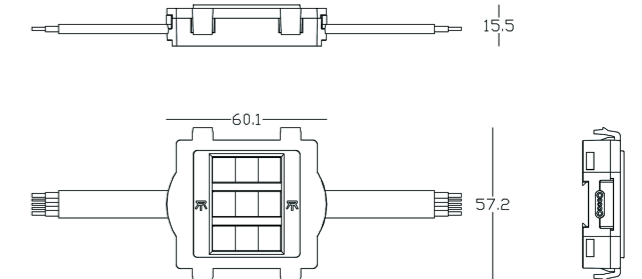
### LxWxH.mm

#### BWS302

Individual installation

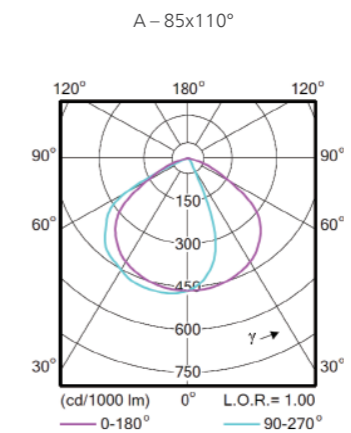
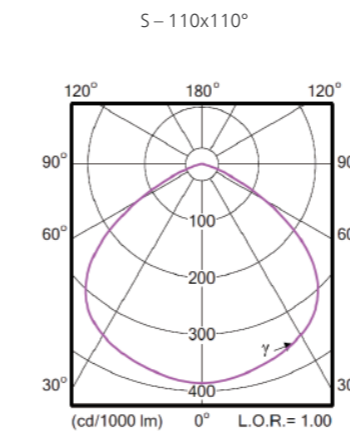


Track mounting



### Light Distribution Curve

#### BWS302



## UniBar Compact



BCS440



BCS441

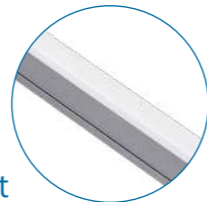
The UniBar Compact is a surface-mounted, outdoor-rated linear LED direct-view lighting fixture, specifically designed for facade and exterior architectural lighting applications. The robust and compact luminaire design, coupled with its unique optical design, makes it the optimal solution for architectural facades, media facades, bridges, or any application requiring a fine linear direct view illumination.

### Features



#### High quality

- Acrylic luminous surface; Low-power LEDs are evenly distributed to ensure uniform light emission across the luminaire surface, free from granular appearance
- Lumen Maintenance - white: 50,000 hours L70 at 35°C; Color: 50,000 hours L50 at 35°C



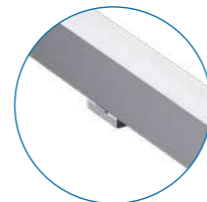
#### Optimal effect

- Standard: RGBW, RGB, 3000K, 4000K, tunable white (tW) color temperature
- Up to 1 meter with 12-segment control
- Wide beam angle options, suitable for direct-view illumination applications



#### Stable and reliable

- Robust and compact housing design & IP66 waterproof rating
- The luminaire features custom small-sized waterproof connectors, paired with dedicated installation accessories



#### Convenient and simple

- Quick-release Clip-in mounting bracket
- Standard On-Off or DMX512 control mode
- Dedicated address lines for faster and easier DMX addressing, compatible with the handheld address writer (ZXP399)





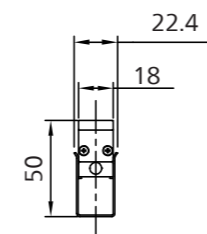
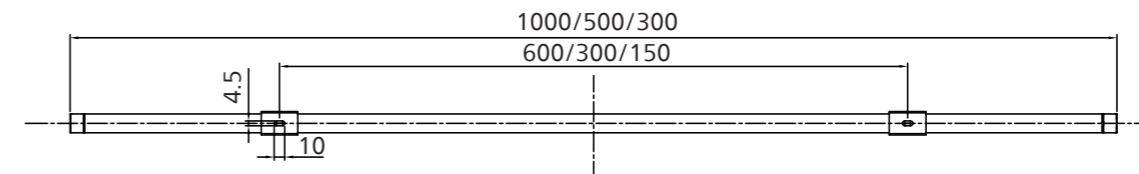
**UniBar Compact**

**Specifications**

	Product Series	UniBar Compact (BCS440)					
Optical Parameters	Light Source	Low-power LED					
	Lumen Maintenance	White: 50000 hours L70B50 at 35°C / RGB: 50000 hours L50B50 @ 35°C					
	Max. LEDs	300mm		500mm		1000mm	
		24LED (Single white/RGB)	48LED (RGBW/tW)	36LED (Single white/RGB)	72LED (RGBW/tW)	72LED (Single white/RGB)	144LED (RGBW/tW)
	Beam Angle	Opal luminous surface					
	Maximum Power	5W		7.5W		15W	
	Standard Color Temperature	3000K, 4000K					
	Optional Colors	RGB, RGBNW, RGBWW					
	CRI	80					
	White Light Color Tolerance	SDCM<=4					
Color Wavelength Range	R: 620 to 625nm; G: 525 to 530nm; B: 470 to 475nm						
Luminaire Body Parameters	Housing	Aerospace Aluminum Housing					
	Surface	Electrostatic Powder Coating, Surface Weathering and Corrosion Resistance Treatment					
	Housing Color	Dark Grey (RAL7012)					
	Bracket	Clip-in bracket					
	Bracket Material	Stainless steel					
	Angle Adjustment	Non-adjustable					
	Gasket	Silicone					
	Luminous Surface	UV-resistant and aging-resistant acrylic PMMA luminous surface					
	LxWxH.mm	300/500/1000 mm x 18 mm x 29 mm (without Clip-in bracket)					
		300/500/1000 mm x 22.45 mm x50 mm (with Clip-in bracket)					
Weight	0.24kg	0.4kg		0.8kg			
Temperature Range	-40°C to 50°C (Operating Temperature)						
	-35°C to 50°C (Startup Temperature)						
	-40°C to 70°C (Storage Temperature)						
Protection Class	IP66, IK06						
Electrical Parameters	Control	On / Off or DMX512					
	Input Voltage	24V DC					
Others	Certificate	CQC, CB, CE					
	Warranty Period	3 years					
	Accessories / ETO Options	Custom max. length: L1200mm					

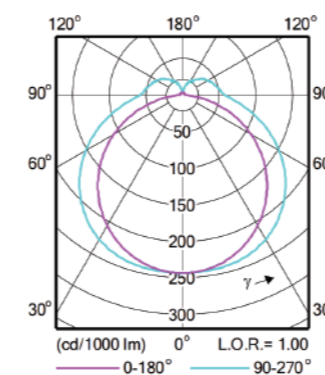
**LxWxH.mm**

**BCS440**



**Light Distribution Curve**

**BCS440**





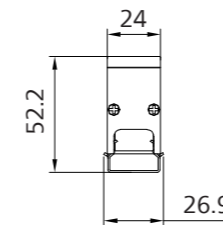
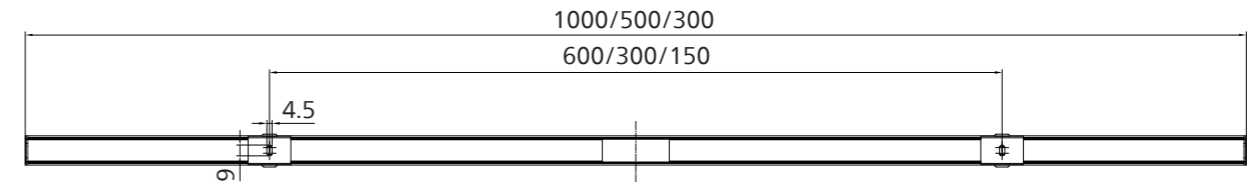
UniBar Compact

### Specifications

	Product Series	UniBar Compact (BCS441)					
Optical Parameters	Light Source	Low-power LED					
	Lumen Maintenance	White: 50000 hours L70B50 at 35°C / RGB: 50000 hours L50B50 @ 35°C					
	Max. LEDs	300mm		500mm		1000mm	
		12LED (Single white/RGB)	24LED (RGBW/tW)	24LED (Single white/RGB)	48LED (RGBW/tW)	48LED (Single white/RGB)	96LED (RGBW/tW)
	Beam Angle	Opal luminous surface					
	Maximum Power	3W		6W		12W	
	Standard Color Temperature	3000K, 4000K					
	Optional Colors	RGB, RGBNW, RGBWW					
	CRI	80					
	White Light Color Tolerance	SDCM<=4					
Color Wavelength Range	R: 620 to 625nm; G: 525 to 530nm; B: 470 to 475nm						
Luminaire Body Parameters	Housing	Aerospace Aluminum Housing					
	Surface	Electrostatic Powder Coating, Surface Weathering and Corrosion Resistance Treatment					
	Housing Color	Dark Grey (RAL7012)					
	Bracket	Clip-in bracket					
	Bracket Material	Stainless steel					
	Angle Adjustment	Non-adjustable					
	Gasket	Silicone					
	Luminous Surface	UV-resistant and aging-resistant acrylic PMMA luminous surface					
	LxWxH.mm	300/500/1000 mm x 24 mm x 51 mm (without bracket)					
		300/500/1000 mm x 26.9 mm x 52.2 mm (with bracket)					
Electrical Parameters	Weight	0.4kg	0.65kg	1.3kg			
	Temperature Range	-40°C to 50°C (Operating Temperature)					
		-35°C to 50°C (Startup Temperature)					
		-40°C to 70°C (Storage Temperature)					
Others	Protection Class	IP66, IK06					
	Control	On / Off or DMX512					
Electrical Parameters	Input Voltage	24V DC					
	Certificate	CQC, CB, CE					
	Warranty Period	3 years					
Others	Accessories / ETO Options	Custom max. length: L1200mm					

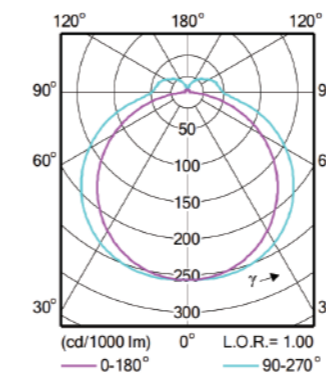
### LxWxH.mm

BCS441



### Light Distribution Curve

BCS441

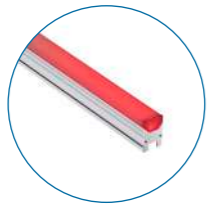


# UniBar



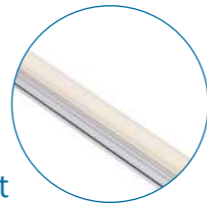
The UniBar series is a surface-mounted, outdoor-rated, and ultra-slim linear LED direct-view luminaire designed for facade and exterior architectural lighting applications. Its structural waterproof design and unique optical design make it ideally suited for architectural facades, media facades, bridges, overpasses, and any application requiring a slim linear direct view lighting solution. It offers white light, monochromatic colors, RGB, RGBW, and tunable white.

## Features



### High quality

- Low-power LEDs are evenly distributed to ensure uniform light output from the luminaire
- Standard: RGBW, RGB, 3000K, and 4000K
- Optional color temperatures: 2700K, 5000K, monochromatic, and tunable white



### Optimal effect

- Up to 10 pixels for easy and flexible control
- Wide beam angle options, suitable for direct-view illumination applications



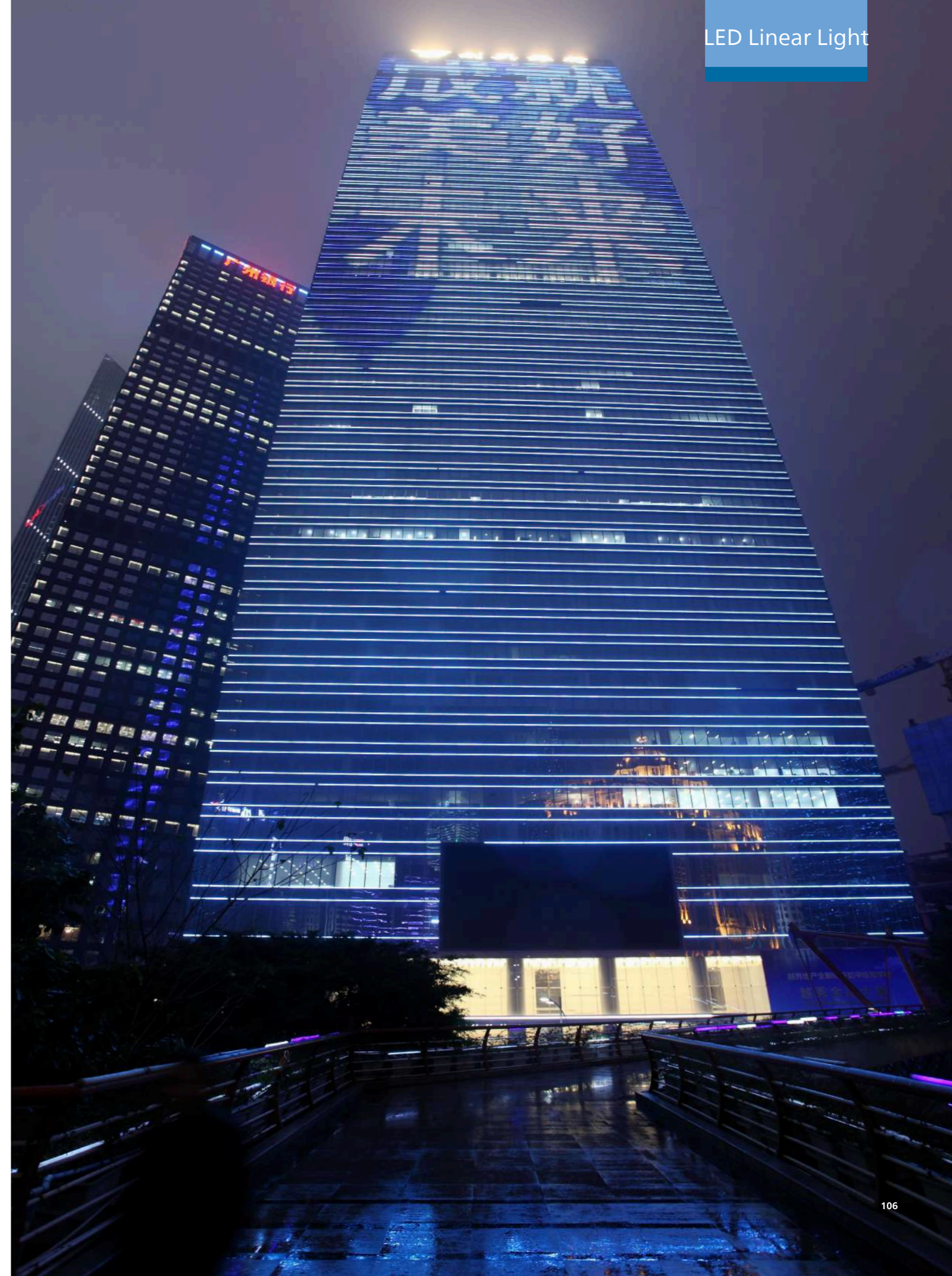
### Stable and reliable

- Standard product lengths of 300mm, 500mm, and 1000mm
- Robust design and IP66 rating for outdoor use



### Convenient and simple

- Quick-release Clip-in mounting bracket
- Standard On-Off or DMX512 control mode
- Dedicated address lines for faster and easier DMX addressing, compatible with the handheld address writer (ZXP399)





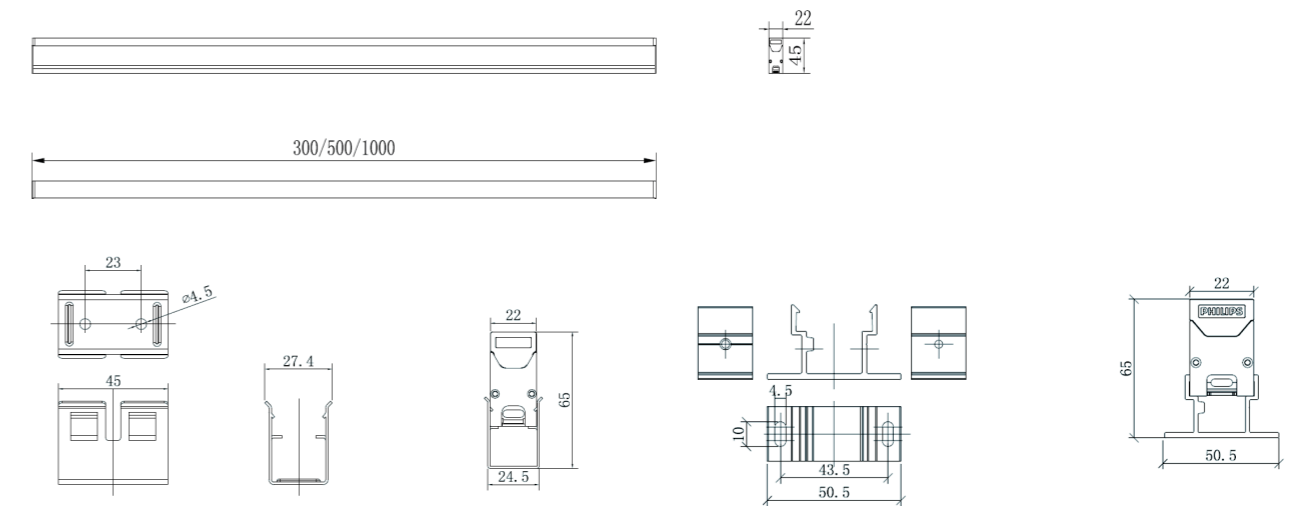
UniBar  
Small

### Specifications

	Product Series	<b>UniBar Small (BCS340)</b>				
Optical Parameters	Light Source	Low-power LED				
	Lumen Maintenance	50000 hours L70B50 at 35°C				
	Max. LEDs	300mm		500mm		1000mm
		12LED (Single white/RGB)	24LED (RGBW)	24LED (Single white/RGB)	48LED (RGBW)	48LED (Single white/RGB)
	Beam Angle	115x145° / 115x135° / 120x145°				
	Maximum Power	3W		6W		12W
	Optional Color Temperature	3000K, 4000K				
	Optional Colors	RGB, RGBW				
	CRI	80				
	White Light Color Tolerance	SDCM<=4				
Color Wavelength Range	R: 620 to 625nm; G: 525 to 530nm; B: 470 to 475nm					
Luminaire Body Parameters	Housing	Aluminum profile				
	Surface	Anodizing				
	Housing Color	Natural aluminum silver				
	Bracket Material	Stainless steel				
	Angle Adjustment	Non-adjustable				
	Gasket	Silicone				
	Luminous Surface	Anti-aging, UV-resistant, high-transmittance polymer PC material, milky white				
	LxWxH.mm	300/500/1000mmx28mmx65mm (with Clip-in bracket)				
	Weight	0.4kg		0.5kg		0.8kg
	Temperature Range	-40°C to 50°C (Operating) -35°C to 50°C (Startup) -40°C to 70°C (Storage)				
Electrical Parameters	Protection Class	IP66, IK08				
	Control	On / Off or DMX512 (up to 1 meter with 16-segment control)				
	Input Voltage	24V DC				
Others	Certificate	CQC, CB, CE				
	Warranty Period	3 years				
	Accessories / ETO Options	Custom max. length: L1200mm				

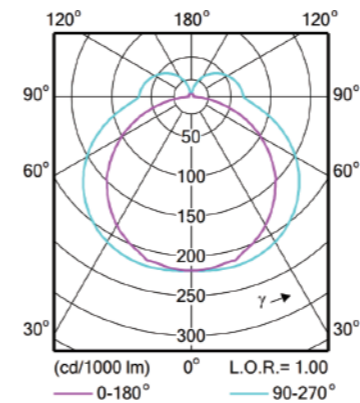
### LxWxH.mm

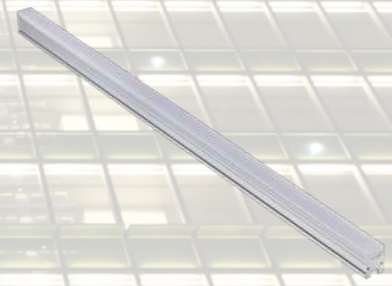
#### BCS340



### Light Distribution Curve

#### BCS340





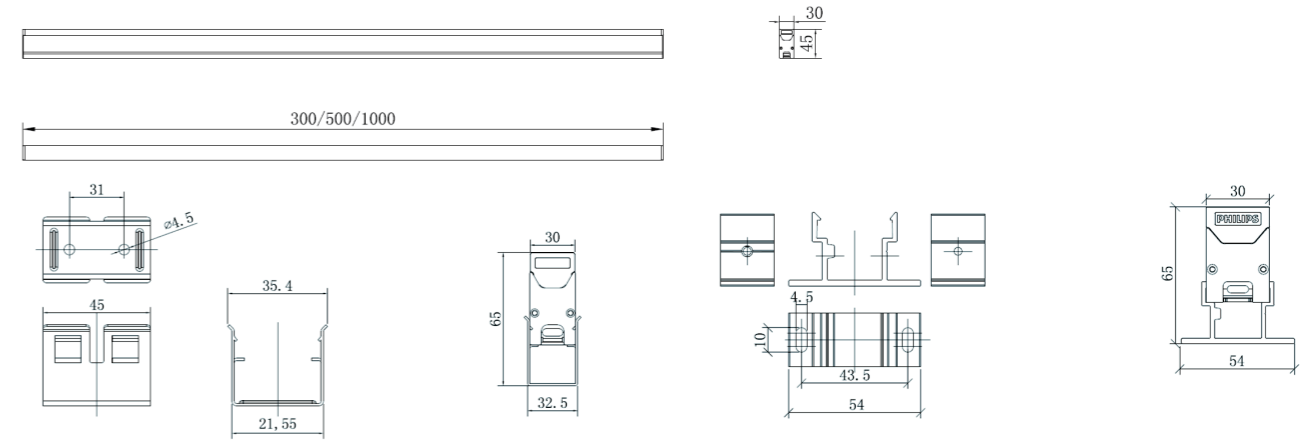
UniBar Medium

Specifications

	Product Series	<b>UniBar Medium (BCS341)</b>				
Optical Parameters	Light Source	Low-power LED				
	Lumen Maintenance	50000 hours L70B50 at 35°C				
	Max. LEDs	300mm		500mm		1000mm
		18LED (Single white/RGB)	36LED (RGBW)	30LED (Single white/RGB)	60LED (RGBW)	60LED (Single white/RGB)
	Beam Angle	115x145° / 115x135° / 120x145°				
	Maximum Power	4W	7.5W	15W		
	Optional Color Temperature	3000K, 4000K				
	Optional Colors	RGB, RGBW				
	CRI	80				
	White Light Color Tolerance	SDCM<=4				
Color Wavelength Range	R: 620 to 625nm; G: 525 to 530nm; B: 470 to 475nm					
Luminaire Body Parameters	Housing	Aluminum profile				
	Surface	Anodizing				
	Housing Color	Natural aluminum silver				
	Bracket Material	Stainless steel				
	Angle Adjustment	Non-adjustable				
	Gasket	Silicone				
	Luminous Surface	Anti-aging, UV-resistant, high-transmittance polymer PC material, milky white				
	LxWxH.mm	300/500/1000mmx35.5mmx65mm (with Clip-in bracket)				
	Weight	0.45kg	0.55kg	0.9kg		
	Temperature Range	-40°C to 50°C (Operating) -35°C to 50°C (Startup) -40°C to 70°C (Storage)				
Electrical Parameters	Protection Class	IP66, IK08				
	Control	On / Off or DMX512 (up to 1 meter with 16-segment control)				
	Input Voltage	24V DC				
Others	Certificate	CQC, CB, CE				
	Warranty Period	3 years				
	Accessories / ETO Options	Custom max. length: L1200mm				

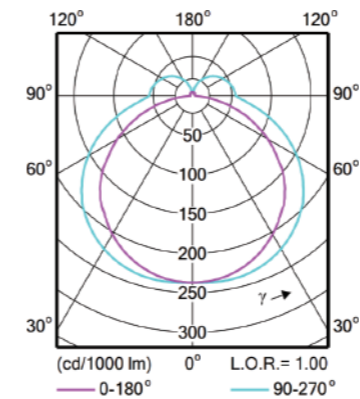
LxWxH.mm

BCS341

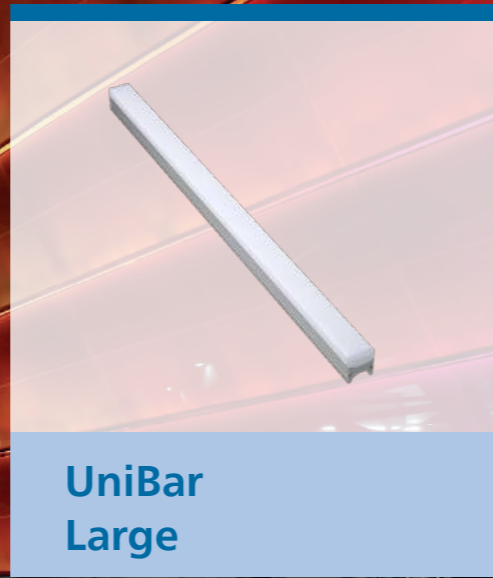


Light Distribution Curve

BCS341







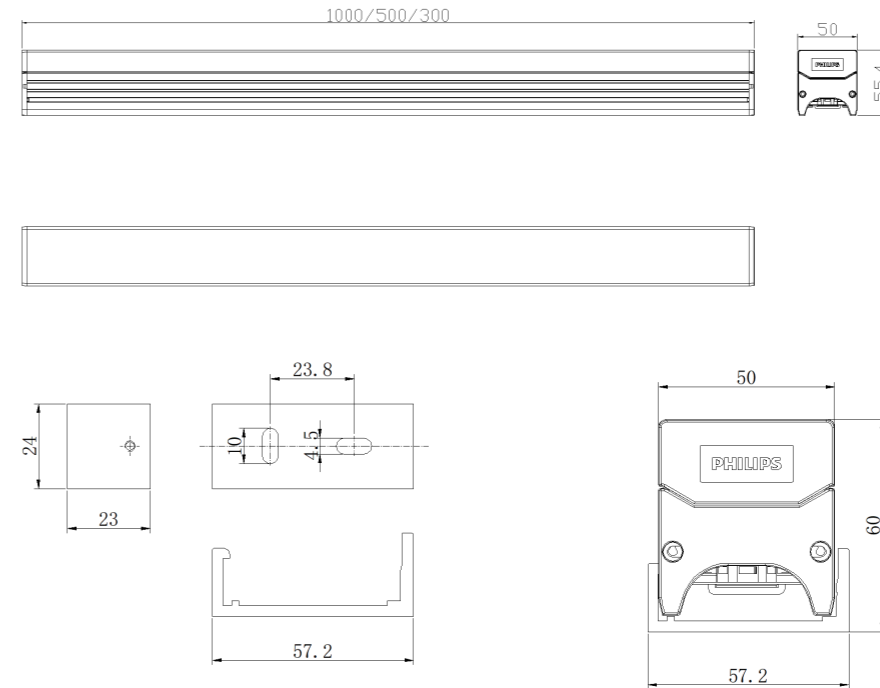
**UniBar  
Large**

**Specifications**

	Product Series	<b>UniBar Large (BCS342)</b>		
Optical Parameters	Light Source	Low-power LED		
	Lumen Maintenance	50000 hours L70B50 at 35°C		
	Max. LEDs	300mm	500mm	1000mm
		36LED	60LED	120LED
	Beam Angle	115x145° / 115x135° / 120x145°		
	Maximum Power	7.5W	12W	24W
	Optional Color Temperature	3000K, 4000K		
	Optional Colors	RGB, RGBW		
	CRI	80		
	White Light Color Tolerance	SDCM<=4		
Color Wavelength Range	R: 620 to 625nm; G: 525 to 530nm; B: 470 to 475nm			
Luminaire Body Parameters	Housing	Aluminum profile		
	Surface	Anodizing		
	Housing Color	Natural aluminum silver		
	Bracket Material	Aluminum		
	Angle Adjustment	Non-adjustable		
	Gasket	Silicone		
	Luminous Surface	Anti-aging, UV-resistant, high-transmittance polymer PC material, milky white		
	LxWxH.mm	300/500/1000mmx57.2mmx60mm (with Clip-in bracket)		
	Weight	0.39kg	0.65kg	1.3kg
		Temperature Range		
Electrical Parameters	-40°C to 50°C (Operating)			
	-35°C to 50°C (Startup)			
	-40°C to 70°C (Storage)			
Protection Class	IP66, IK08			
Control	On / Off or DMX512 (up to 1 meter with 16-segment control)			
	Input Voltage	24V DC		
Certificate	CQC, CB, CE			
Others	Warranty Period	3 years		
	Accessories / ETO Options	Custom max. length: L1200mm		

**LxWxH.mm**

**BCS342**



**Light Distribution Curve**

**BCS342**

